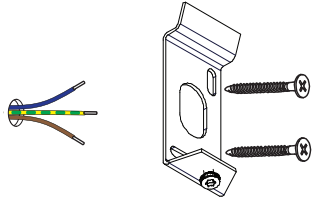


Split Medium 2xLED<500lm

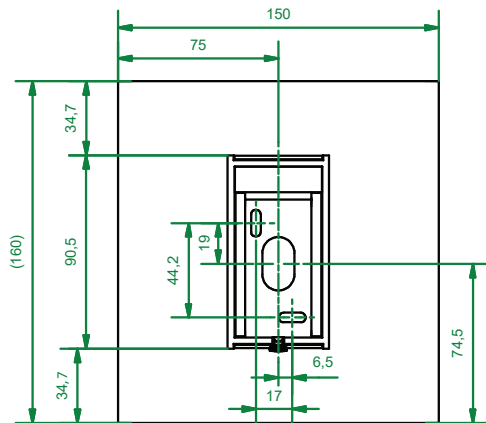
126021XX

Lamp type : 2x LED array 230V

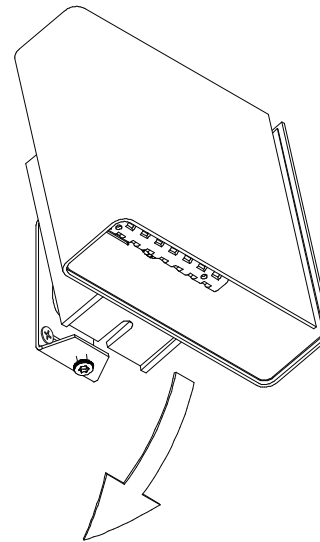
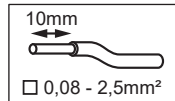
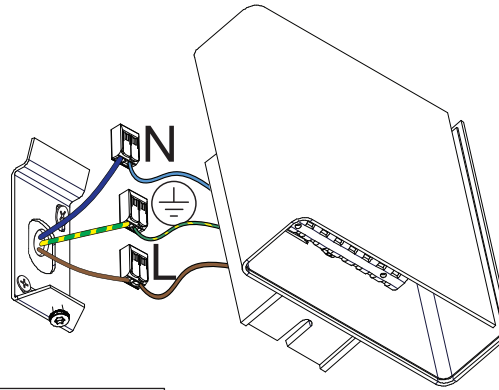
1



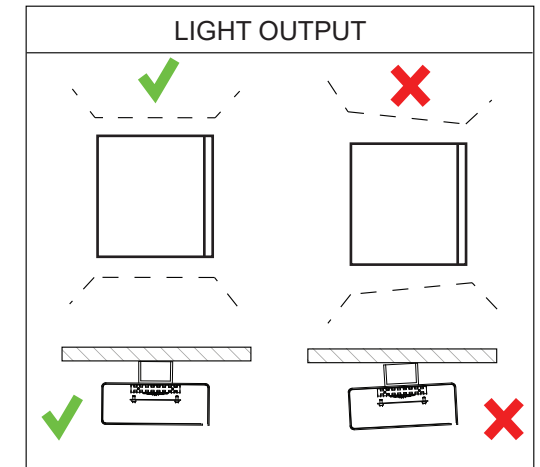
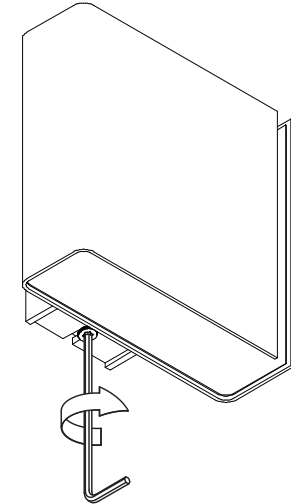
2 screws: max. $\varnothing 4.5$



2



3



Replace protective shield when broken. The luminaire shall only be used complete with its protective shield.
Reference number: 1011071

