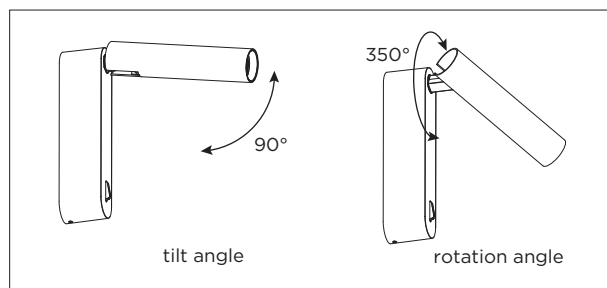
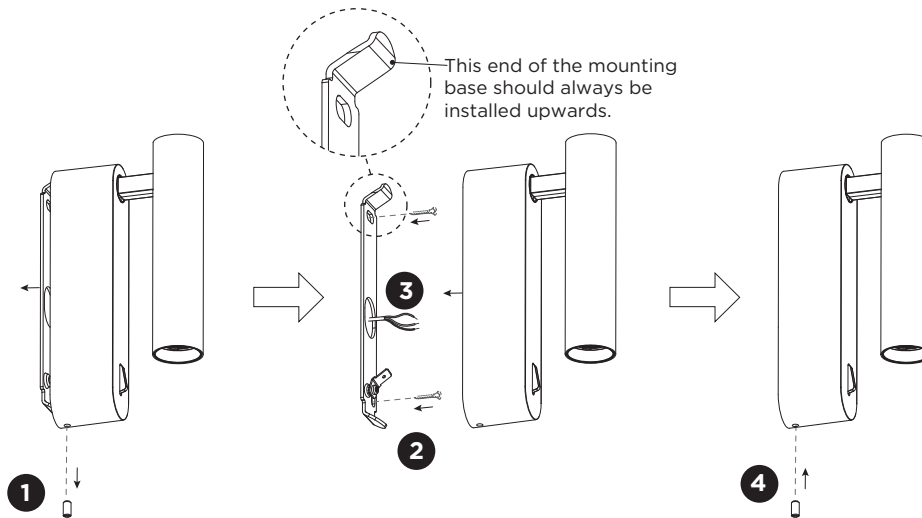
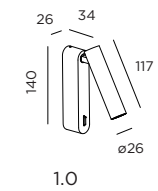


MATCH snooze

INSTALLATION INSTRUCTIONS | AUGUST 2022

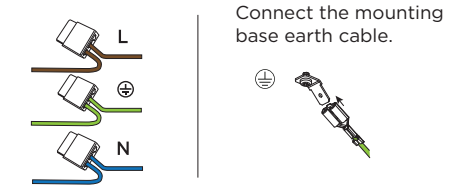


DIMENSIONS



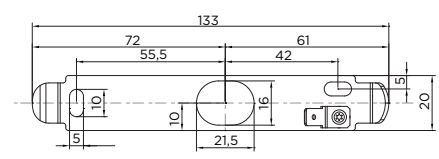
MOUNTING INSTRUCTION

- 1 Remove the mounting base from the luminaire by loosening the socket screw.
- 2 Mount the mounting base on the wall with screws (screws are not included).
- 3 POWER CONNECTION
Connect to 220-240V.



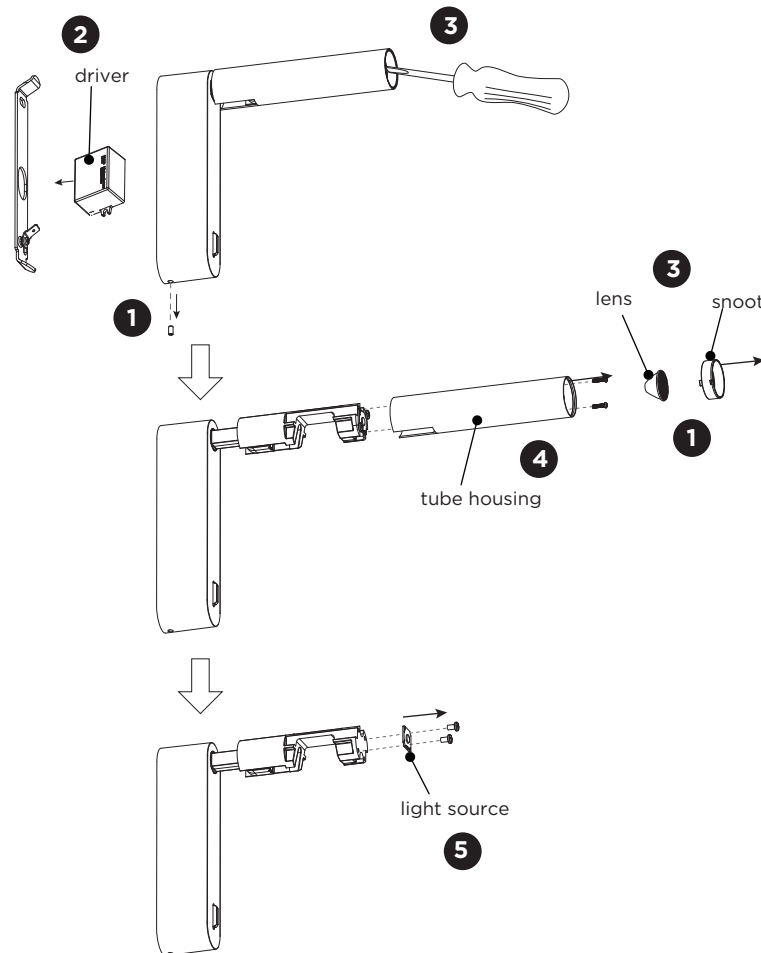
- 4 Fix the luminaire on the base with the socket screw.

Mounting base:



MATCH snooze

INSTALLATION INSTRUCTIONS | SEPTEMBER 2022



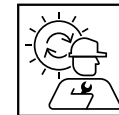
DISMOUNTING INSTRUCTION

Light source & driver

- 1 Loosen the socket screw from the fixture to remove it from the mounting base.
- 2 Disconnect the wires and remove the driver.
- 3 Pull out the snoot using any available tools and remove the lens.
- 4 Unscrew the screws and remove the tube housing.
- 5 Unscrew the screws, disconnect the wires and remove the light source.



The driver is replaceable by an authorized professional.
For advice contact your Wever & Ducré customer service contact point.



The light source is replaceable by an authorized professional.
For advice contact your Wever & Ducré customer service contact point.



This luminaire contains a light source with the energy class E.