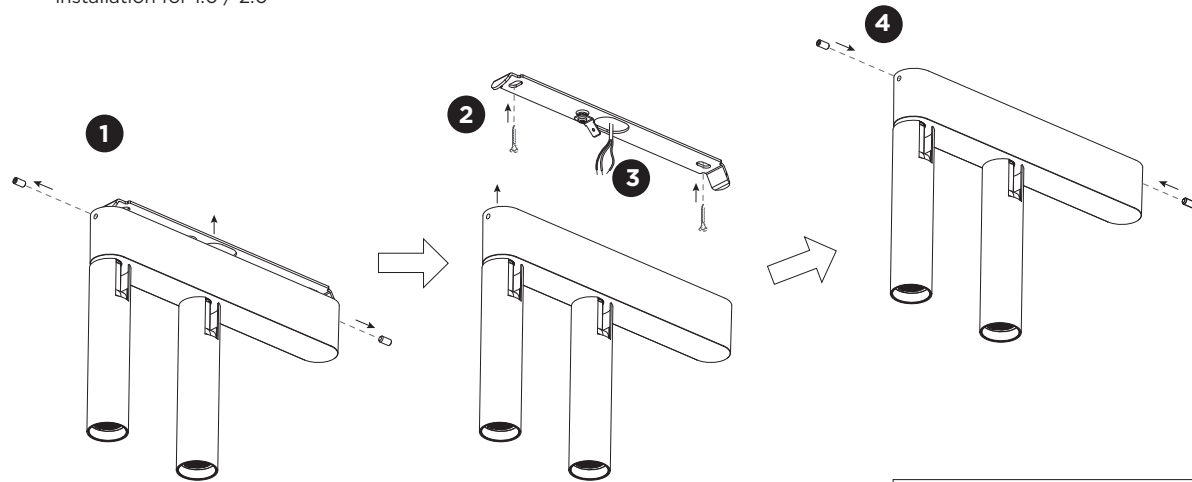


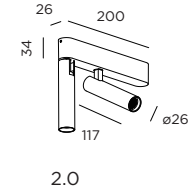
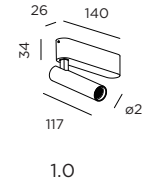
MATCH ceiling surface

INSTALLATION INSTRUCTIONS | AUGUST 2022

installation for 1.0 / 2.0



DIMENSIONS



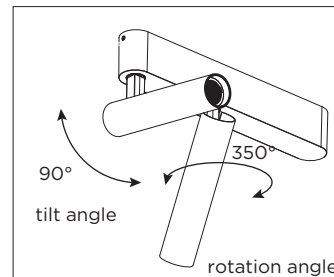
MOUNTING INSTRUCTION

- 1 Remove the mounting base from the luminaire by loosening the socket screws.
- 2 Mount the mounting base on the ceiling with screws (screws are not included).
- 3 POWER CONNECTION
Connect to 220-240V.

Connect the mounting base earth cable.
- 4 Fix the luminaire on the base with the socket screws.

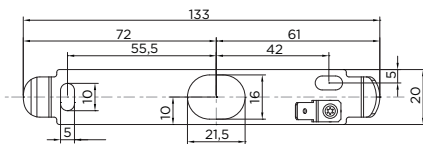


Only to be installed outside arms reach.

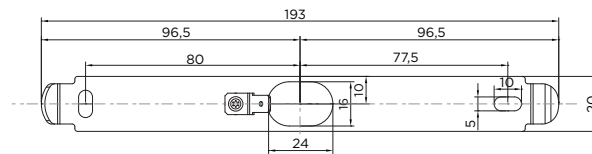


Mounting base:

1.0



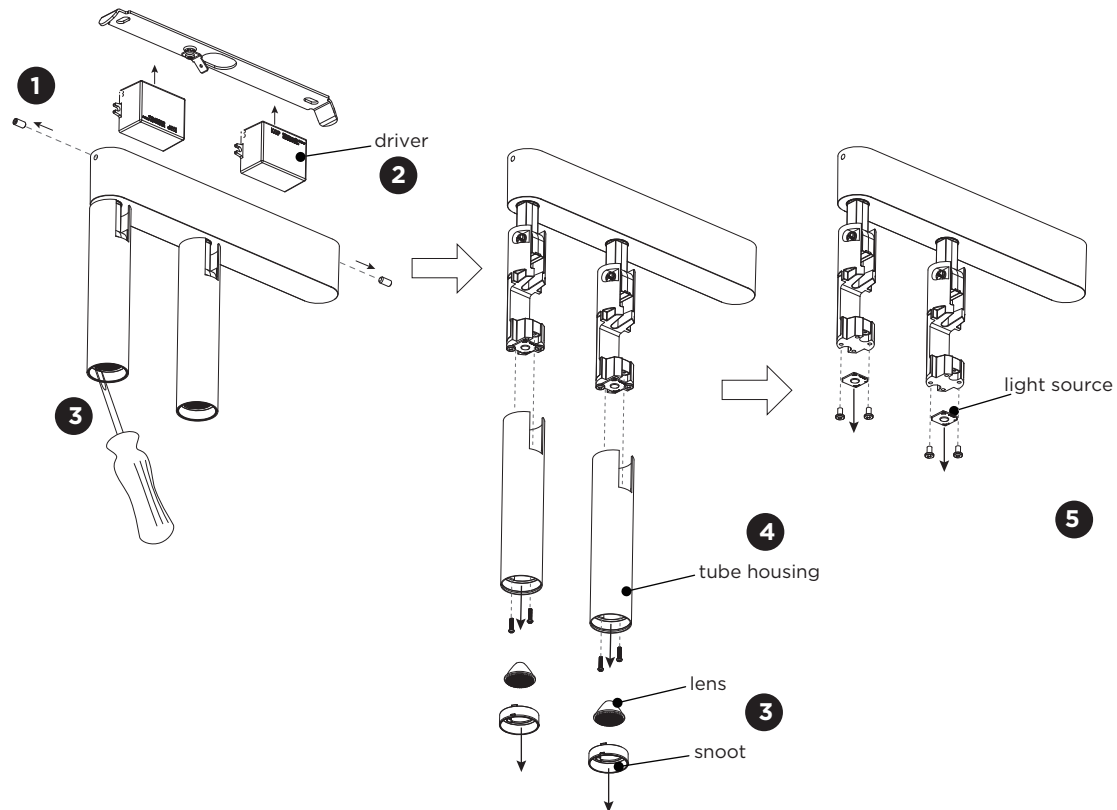
2.0



MATCH ceiling surface

INSTALLATION INSTRUCTIONS | AUGUST 2022

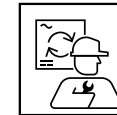
dismounting for 1.0 / 2.0



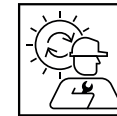
DISMOUNTING INSTRUCTION

Light source & driver

- 1 Loosen the socket screws from the fixture to remove it from the mounting base.
- 2 Disconnect the wires and remove the driver(s).
- 3 Pull out the snoot(s) using any available tools and remove the lens(es).
- 4 Unscrew the screws and remove the tube housing(s).
- 5 Unscrew the screws, disconnect the wires and remove the light source(s).



The driver is replaceable by an authorized professional.
For advice contact your Wever & Ducre customer service contact point.



The light source is replaceable by an authorized professional.
For advice contact your Wever & Ducre customer service contact point.



This luminaire contains a light source with the energy class E.