





LIGHT·POINT

INSTRUCTION MANUAL

TIP 1 Code 258910-258911	
INPUT: 220-240V ~ 50/60Hz CLASS I 	  
LAMP-HOUSE: LED- 4W	
MATERIAL: ALUMINIUM	

INSTALLATION INSTRUCTION

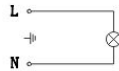
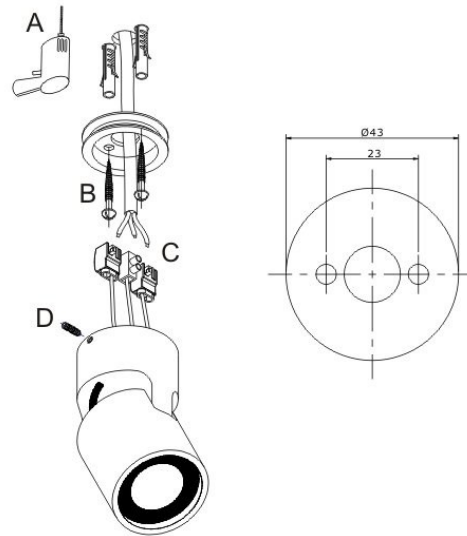
1. Before installing, make sure the power supply is switched off.
2. Follow the steps as the figure for installation.
 - A. after holing, pull out the wires.
 - B. fix the mounting bracket onto the wall with screws.
 - C. connect the wires to the terminal block.
 - D. fix the fixture to the mounting bracket with screws.
3. After finishing every step, tighten the screws, have the fixture fixed, and then connect the power supply.

CLEANING INSTRUCTION

1. Before cleaning, ensure that the power supply is switched off.
2. Use only a soft cloth to clean the lamp, dampened with mild cleanser if needed for resistant dirt.
3. Warning: do not use alcohol or other solvents.

CAUTION:

In case of any doubt, please contact the qualified electrician.



NOTE: THIS PRODUCT MUST BE INSTALLED ACCORDING TO LOCAL LAWS AND REGULATIONS!

www.light-point.eu