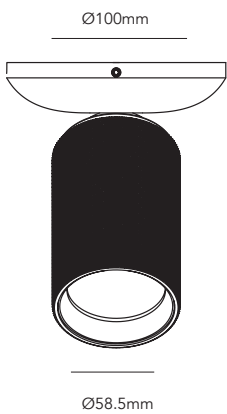
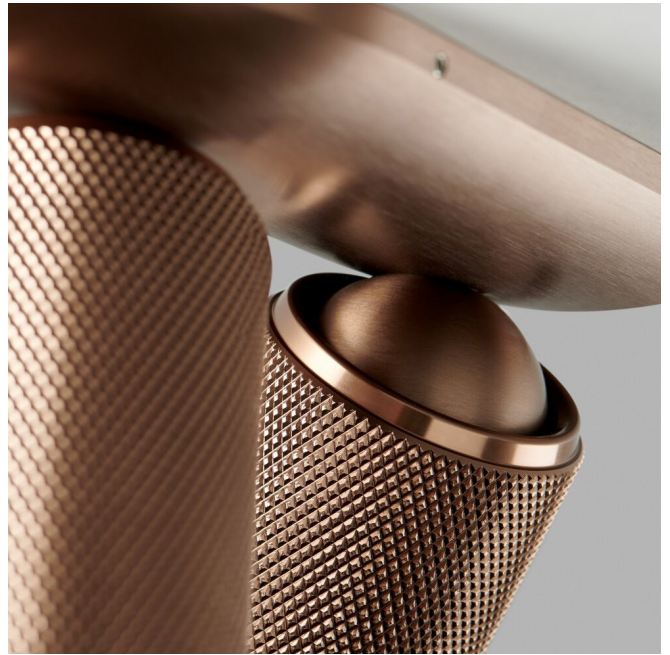
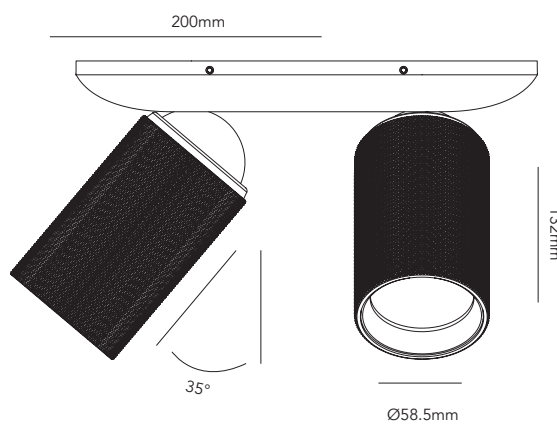


## RAW SPOTLIGHT

Design: Nital Patel



RAW SPOT LIGHT SINGLE



RAW SPOT LIGHT DOUBLE

# RAW SPOT LIGHT - 3000K

Design: Nital Patel

**LIGHT·POINT**  
C O P E N H A G E N

ART. NAME	RAW SPOT LIGHT SINGLE	RAW SPOT LIGHT DOUBLE	
Art. no. rose gold	270951	missing	-
Art. no. titanium	270952	missing	-
EAN rose gold	270950	missing	-
EAN titanium	5711389709518	missing	-
Material	5711389709525	missing	-
Light source	5711389709501	missing	-
Material	Aluminum+PC	Aluminum+PC	-
Light source	Lumens	Lumens	-
Lifetime	50.000h	50.000h	-
Number of light sources	1	2	-
Electronical gear	N/A	N/A	-
Driver watt	6W	12W	-
Light source watt	6W	6W	-
System watt	6W	12W	-
Voltage	220-240V	220-240V	-
Dimmable	Yes	Yes	-
Lumen output	300	600	-
Lumen pr. watt	50	50	-
Flux	missing	missing	-
CCT (K)	3000K	3000K	-
RA/CRI	>90	>90	-
Mac Adam	N/A	N/A	-
Light distribution	Down	Down	-
Beam angle	N/A	N/A	-
Tilt angle	N/A	N/A	-
Cutout mm.	N/A	N/A	-
Rotation	N/A	N/A	-
Looping	N/A	N/A	-

Updated 17.08.2021