

FLOS

MOD. 607

Mounting	Table
Lamps description	42 LED - 2700 K - 1200 lm - CRI 85 - 18W dimmer
Environment	Indoor
Finish	White, Grey
Technical description	Table lamp emitting direct light, made up of two elements that are mechanically snapped together: a disc-shaped diffuser with a truncated cone section in painted aluminium and craquelé finish, and a slanted parallelepiped base in painted aluminium, which gives the lamp stability. The switch with dimmer is positioned on the front at the foot of the base.

ELECTRICAL

Emergency	Without
Switching	The switch with dimmer is positioned on the front at the foot of the base

PHYSICAL

Supply	Plug with interchangeable sockets
Cord length (mm)	2000
Construction material	Aluminum
Weight (kg)	6,1



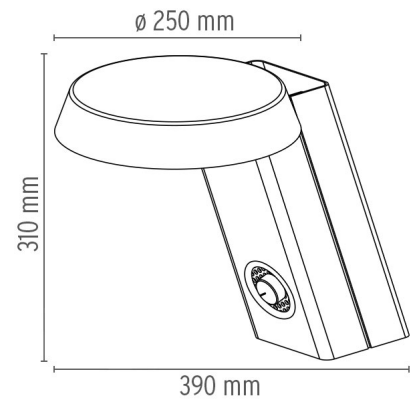
Mod. 607

designed by Gino Sarfatti

Table lamp emitting reflected and diffused light.

● F0140020	Grey
● F0140009	White

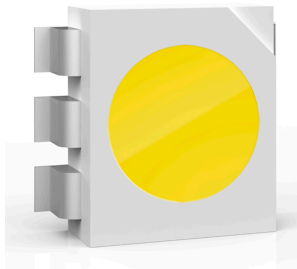
DIMENSIONS



CERTIFICATIONS



Mod. 607 . Lamps



**LED - 2700 K - 1200 lm -
CRI 85 - 18W**

Lamp wattage:
18 W

Lamp category:
LED

Color temperature (K):
2700 °K

Lamp type:
LED



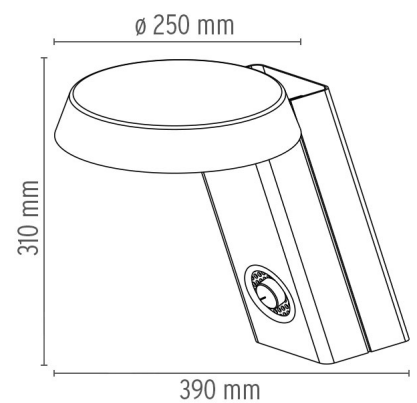
Mod. 607

designed by Gino Sarfatti

Table lamp emitting reflected and
diffused light.

- F0140020 Grey
- F0140009 White

DIMENSIONS



CERTIFICATIONS

