

# Eclisse 2.0

Massimiliano Raggi



Lampada a sospensione o lampadario ispirato all'eclissi solare, gioca con luci, ombre ed elementi sovrapposti. Si compone di tre anelli multimisura, realizzati in legno con finitura bronzo chiaro e scuro, attraverso le nuove tecniche di verniciatura con polveri di metallo: l'effetto è quello del bronzo spazzolato su metallo. La luce principale, regolabile, è ora inserita negli anelli laterali diffusa dal materiale plastico speciale con venature, che ricorda il marmo.

*A suspension light or chandelier inspired by the solar eclipse, it plays with light, shadows and overlapping elements. It consists of three multi-sized rings, made of wood with a light and dark bronze finish, using the new techniques of painting with metal powders – the effect is that of brushed bronze on metal. The main light, dimmable, is now inserted in the lateral rings, and is diffused by the special plastic material with veins, which is reminiscent of marble.*

SPECIFICHE PRODOTTO / PRODUCT SPECIFICS

p.2

ECLISSE 2.0

p.3

**STRUTTURA / FRAME**

Rosone bronzo spazzolato  
*Satin bronze canopy*

**DIFFUSORE / DIFFUSER**

Anello grande in legno bronzo  
scuro  
*Larger ring in dark bronze  
painted wood*



Anelli piccoli in legno bronzo  
chiaro  
*Smaller rings in light bronze  
painted wood*



Dischi in alicrite effetto alabastro  
*Alicrite diffusing discs with  
alabaster effect*

**FONTE LUMINOSA / LIGHT SOURCE****220-240V**

Panel LED

1 x 17W

Panel LED

Emissione / Light emission: 1.430 Lm

+

1 x 28W

Panel LED

Emissione / Light emission: 2.270 Lm

IP20

Dimmerabile DALI/Push.  
Altri sistemi di dimmerazione  
disponibili su richiesta

*DALI/Push dimmable.  
Other dimming systems available  
on demand*

**110V**

Panel LED

1 x 17W

Panel LED

Light emission: 1.430 Lm

+

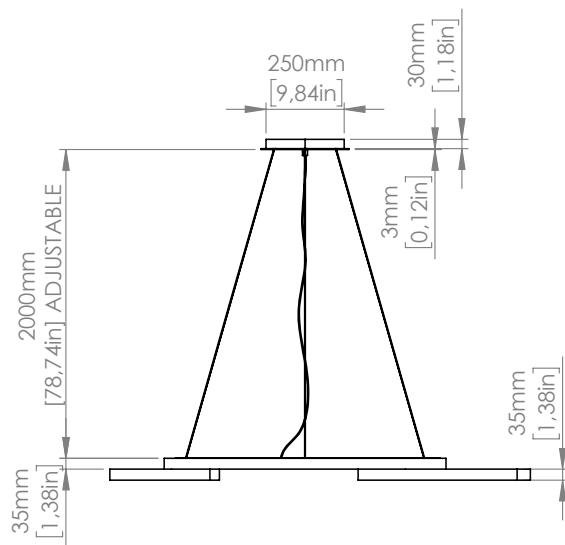
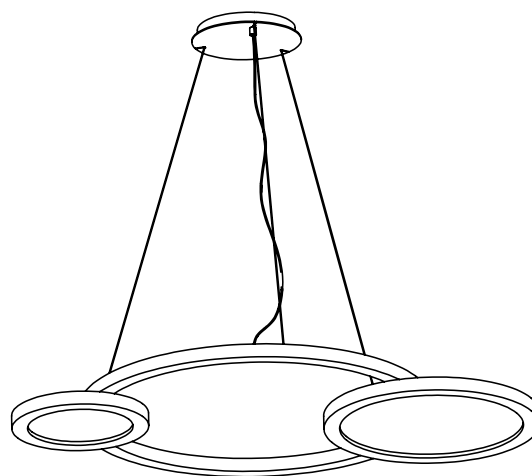
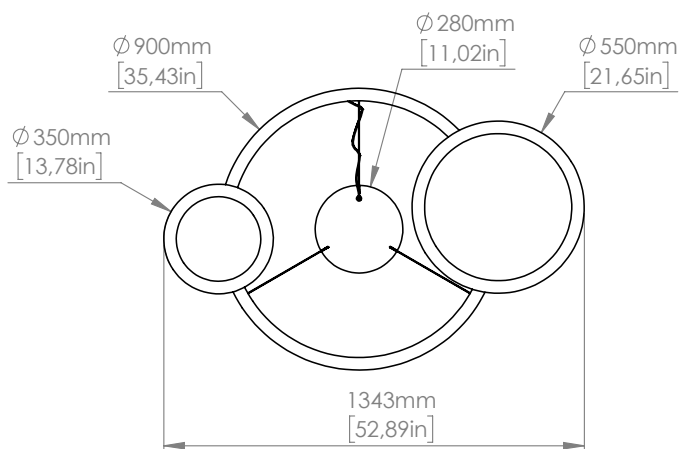
1 x 28W

Panel LED

Light emission: 2.270 Lm

IP20

1-10V dimmable.  
Other dimming systems available  
on demand



**PRDOTTO / PRODUCT**   **IMBALLI / PACKAGING**

**Peso-Weight**  
18 kg / 39.7 lbs

**Box 1**  
L: 1225 mm / 48"  
P-W: 205 mm / 7.8"  
H: 1225 mm / 48"  
Peso-Weight: 21.5 kg / 47.4 lbs

Copyright and/or design rights subsist in this drawing. No part of this drawing may be reproduced in any material form (including photocopying or storing in any medium electronic means, whether or not intentionally and whether or not as part or a larger publication) without the express permission of the copyright owner, Contardi Lighting S.r.l.. Further and without prejudice to the above, this drawing and all information relating thereto is confidential, and shall not be communicated to a third party without the consent of Contardi lighting srl. Contardi lighting srl asserts all rights to be identified as the author of the work and otherwise.

WARNING: The doing of any unauthorised act in relation to a copyright work may result in both a civil claim for damages and criminal prosecution.

---

**CONTARDI LIGHTING Srl**

ITALY HEADQUARTERS

[www.contardi-italia.com](http://www.contardi-italia.com) / [sales@contardi-italia.it](mailto:sales@contardi-italia.it)

**CONTARDI USA Inc**

USA BRANCH

[www.contardi-usa.com](http://www.contardi-usa.com) / [office@contardi-usa.com](mailto:office@contardi-usa.com)

