

CORNET

DESIGNED BY POOL

Luminaire à la fois minimaliste et ludique grâce à la technique du pliage du laiton.

Chacune des facettes met la matière en valeur. La suspension, au design ovale et conique, peut accueillir trois ou cinq boules en verre opale.



A light that is both minimalist and playful thanks to the technique of folding the material of brass.

Each of the facets really highlight the material. The pendant, with an oval and conical design, can accommodate three or five opal glass balls.





Suspension – Pendant light Cornet 3L SB









Finitions Finishes

Détails page 222

Suspensions – Pendants

 Laiton satiné	 Graphite satiné	 Nickel satiné	 Cuivre satiné
SB Satin brass	SG Satin graphite	SN Satin nickel	SC Satin copper

Appliques – Wall mounted lights

 Laiton satiné	 Graphite satiné	 Nickel satiné	 Cuivre satiné
SB Satin brass	SG Satin graphite	SN Satin nickel	SC Satin copper
 Laiton poli	 Graphite poli	 Nickel poli	 Cuivre poli
PB Polished brass	PG Polished graphite	PN Polished nickel	PC Polished copper

Matériaux Material

Tous – All

Laiton massif	Verre triplex opale
Solid Brass	Opal triplex glass

Suspensions – Pendants

Câble textile noir + câble métallique (longueur ≈ 2 m)
Black textile cable + metal cable (length ≈ 79")

Source Lamping

Suspension – Pendant light

Suspension CORNET 3L

G9 Led 3x 5W max. non fournie
G9 Led 3x 5W max. not included

Variable*
Dimmable*

Variable*
Dimmable*

Suspension CORNET 5L

G9 Led 5x 5W max. non fournie
G9 Led 5x 5W max. not included

Variable*
Dimmable*

Variable*
Dimmable*

Appliques – Wall mounted lights

G9 LED 5W max. non fournie
G9 LED 5W max. not included

Variable*
Dimmable*

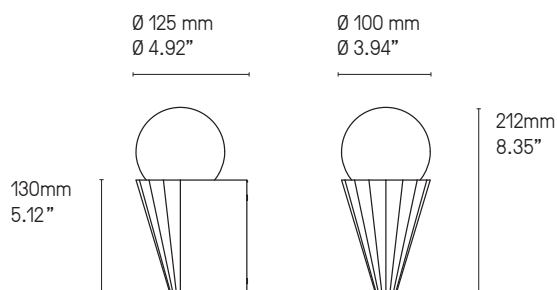
Norme IP24 Classe II
IP24 Class II standard

Designer

POOL

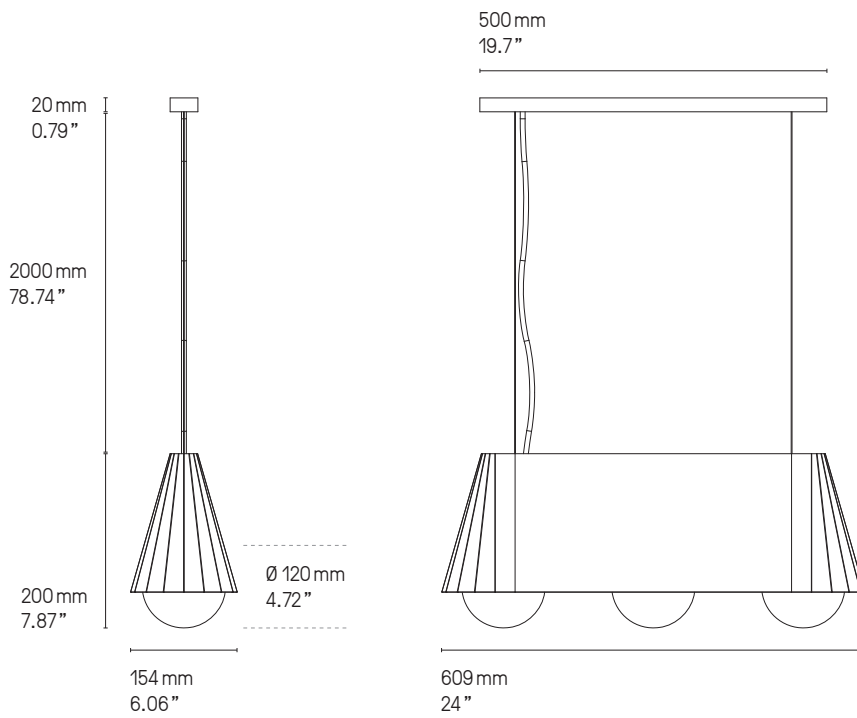
* Les luminaires variables nécessitent l'utilisation d'ampoules compatibles avec la variation
All dimmable light fixtures require the use of compatible bulbs

IP Cornet Appliques – Wall mounted lights

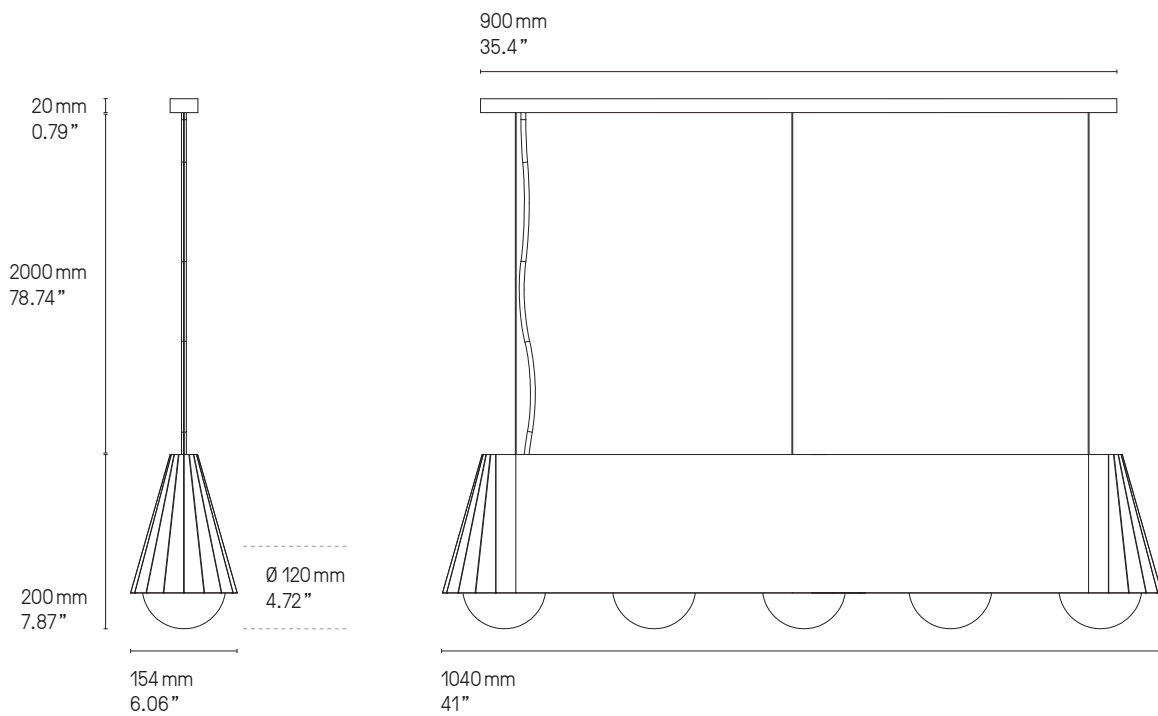


Appliques – Wall mounted lights
Cornet · SN

Cornet 3 L Suspension – Pendant



Cornet 5 L Suspension – Pendant



La longueur des câbles est réglable à l'installation.
The height of the cables can be adjusted during installation.



Suspension – Pendant light Cornet 3 L SB



Appliques – Wall mounted lights Cornet SG

© Yannick Labrousse



© Yannick Labrousse

CVL LUMINAIRES

79 ROUTE DE LA CHEVALLERIE – 49770 LONGUENÉE-EN-ANJOU – FRANCE

TEL. +33 (0) 2 41 32 67 54

EMAIL : CONTACT@CVL-LUMINAIRES.FR

WWW.CVL-LUMINAIRES.FR

Brand identity & art direction: [POOL](#) Layout & production supervision: [deuxpointdeux](#)
Texts & translation: [CVL](#) Photos: [Garnier Studios](#) except when mentionned otherwise 3D: [CVL](#) except when mentionned otherwise

Make sure to download our latest catalogue [here](#)