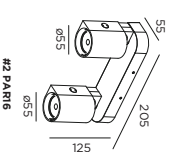


# SQUBE #2 ON BASE

23-May-2019

## DIMENSIONS

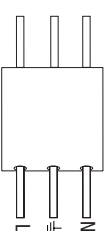


## MOUNTING INSTRUCTION

- 1 Remove the screws, put the cables through the opening and mount the base on the ceiling.

## POWER CONNECTION

- 2 Interior: connection: STANDARD version

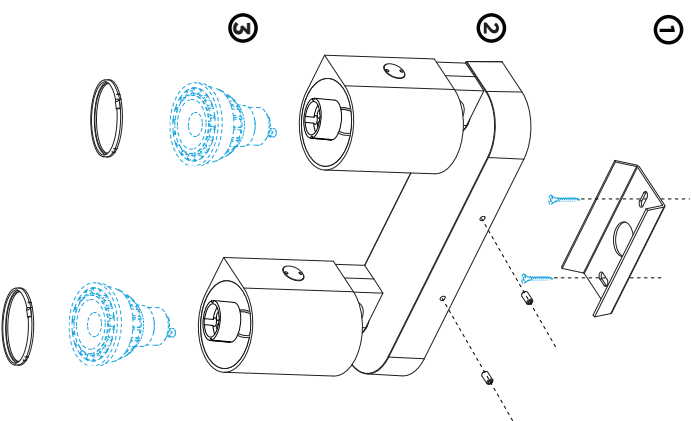
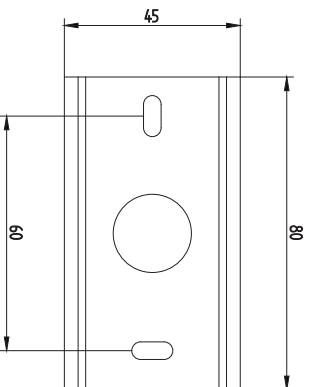


Mount the fixture again with the screws on the base.

- 3 Mount (connect) the lamps.

**#2 PARI6**  
2xPARI6 max. 12W/ GU10 | 100-240VAC | 50-60Hz  
P20 0,09m | 90° 355°  
white texture 144520W0  
black texture 144520B0  
**OPTIONAL**  
for PARI6 lamps see our catalogue

base plate dimensions



**WEAVER & DUCRÉ**  
LIGHTING

[www.weverducre.com](http://www.weverducre.com)

Weaver & Ducré bvba Spinnerijstraat 99/21 8500 Kortrijk

**INSTALLATION  
INSTRUCTIONS**