

RINI SNEAK

27-Feb.-2020

1.0 LED

LED 7/10W | 350-500mA | COB 3-step | excl. power supply

CE IP44 0,3m 5

white texture	154261W_
black texture	154261B_

LIGHT COLOUR

2700K >90CRI 460-620lm 18Vf	3
3000K >90CRI 480-640lm 18Vf	5
1800-2850K >95CRI 290-390lm 16Vf	9

ALWAYS USE
for power supplies please see our catalogue

1.0 PAR16

Max. 35W | GU10 | 100-240VAC

CE IP44 0,9m 5

white texture	154220W0
black texture	154220B0

OPTIONAL
for PAR16 lamps please our catalogue

1.0 MR16

QR-CBC51 Max. 35W | GU5.3 | 12V | excl. transformer

CE IP44 0,9m 5

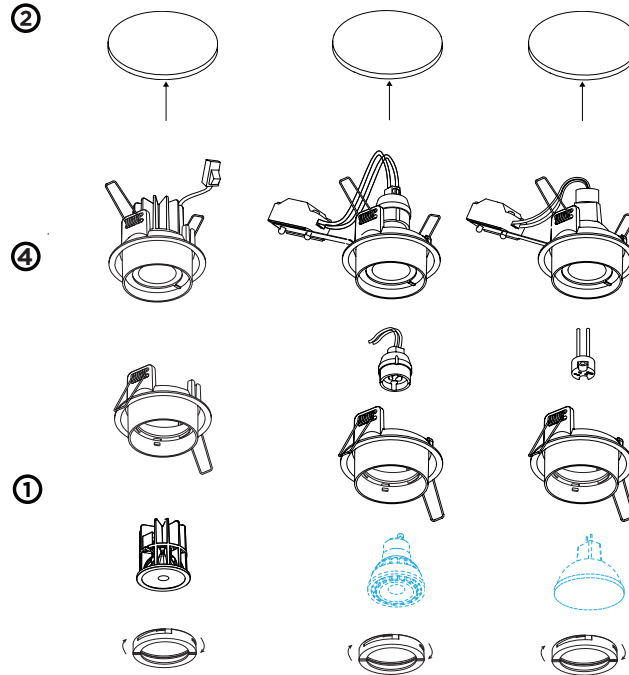
white texture	154210W0
black texture	154210B0

ALWAYS USE
for transformers please see our catalogue

1.0 LED

1.0 PAR16

1.0 MR16

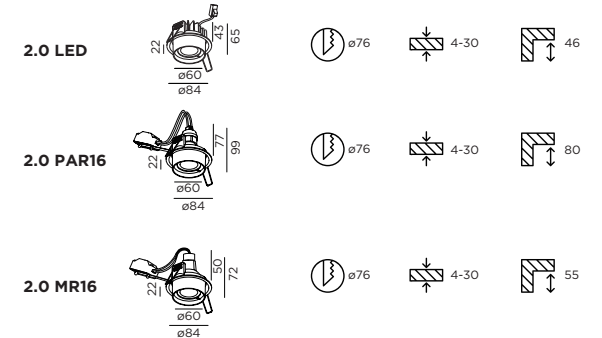


IP20

IP rating when installed.
(Fixture is IP20 for the recessed part & IP44 at the visible side)

IP44

DIMENSIONS



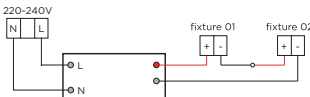
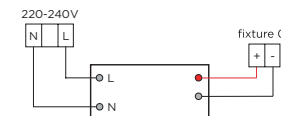
MOUNTING INSTRUCTION

- Mount the light source in the housing and fix it with the front ring.
- Make a hole in the ceiling according to the prescribed dimensions.

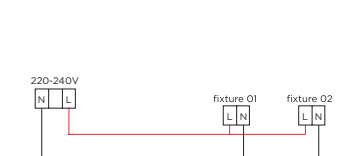
POWER CONNECTION

SERIAL CONNECTION - for LED

Always use a power supply according to the specifications of the LED module.



PARALLEL CONNECTION - for PAR16



- Push up the springs and insert the fixture in the ceiling hole.



FOR HALOGEN LAMPS:

- The mounting height for the luminaire should be more than 2.5m.
- luminaires not suitable for covering with thermally insulating material.
- luminaires not suitable for direct mounting on normally flammable surfaces (suitable only for mounting on non-combustible surfaces.)



WEVER & DUCRÉ
LIGHTING

www.weverducre.com

Wever & Ducré bvba Spinnerijstraat 99/21 8500 Kortrijk

INSTALLATION
INSTRUCTIONS