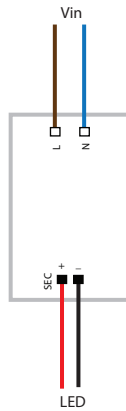


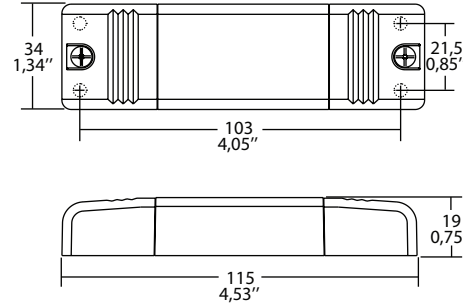
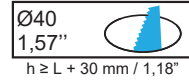
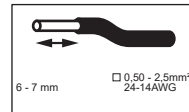
# LED Gear 500mA 12W

13550030

Diagram



500mA    12W (10W<sup>(2)</sup>)    24Vdc



**Rated Voltage**

100 ÷ 127 V<sup>(2)</sup>  
100 ÷ 240 V

**Frequency**

50...60 Hz

**AC Operation range**

90 ÷ 264 V

**DC Operation range**

DC 176 ÷ 280 V

**Power**

0 ÷ 12 W

**Temperature**

T<sub>c</sub> = 75°C  
T<sub>a</sub> = -25...+50°C

**max. Efficiency**

> 83<sup>(1)</sup>

**Maximum current**

**output ripple**

≤ 3%<sup>(1)</sup>

**Reference Norms**

- CSA C22.2 no. 223<sup>(2)</sup>
- EN 50172
- EN 55015
- EN 61000-3-2
- EN 61000-3-3
- EN 61347-1
- EN 61347-2-13
- EN 61547
- EN 62384
- VDE 0710-T14
- UL 1310 & UL 8750<sup>(2)</sup>

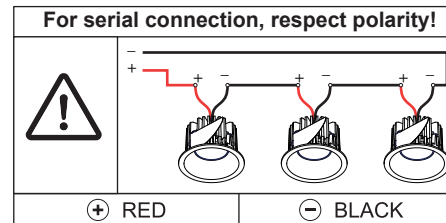
**max. drivers on MCB 16A type B**

27

**CAN BE USED WITH**

Fixtures:

see driver matrix - latest version on website  
[www.supermodular.com](http://www.supermodular.com) or check sales contact



<sup>(1)</sup> Referred to V<sub>in</sub> = 230V, 100% load

<sup>(2)</sup> Rated Voltage 100 ÷ 127 V

