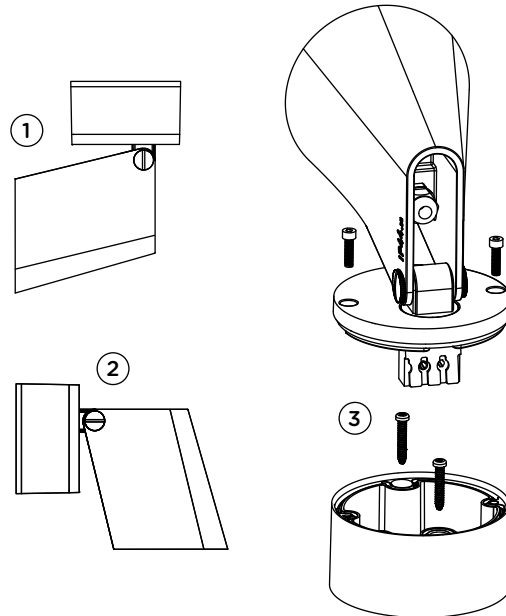


stic

instructions for use

1. Push main cable through PG fitting of the bracket.
Screw the PG fitting to ensure tight seal.
- 1.1. Wall-/ceiling mounting: Attach wall or ceiling bracket.
Pay attention of position 'top' (see picture 1 + 2 + 3).
- 1.2. Ground mounting: Bracket has to be screwed on an even foundation with the included fixing material;
where necessary prepare a drainage system. Ensure a secure position and flushness with FFL (finished floor level) (see picture 3).
- 1.3. In case of through wiring, blanking plug has to be removed and replaced by the included PG fitting.
2. Establish ground connection and connect power lines.
3. Position light housing onto bracket, press bracket and tight cylinder head screws evenly. Avoid pinched cables.



light technology:

230V Power LED / 2700K
system performance: 8 W/498 lm

A+ EEC

technical information:

operating voltage 230V / 50Hz

IP65 protection class

safety class 1

Luminaire is suitable for mounting on normal inflammable fixing surfaces.

CE conformity mark

maintenance:

Disconnect the electrical installation.

This luminaire contains built-in LED lamps. The LED lamps can be replaced by IP44.de in case of a failure of the LED. In this case, please get in touch with your retailer.

dimming:

The luminaire can be dimmed with an approved leading- or trailing edge dimmer. Please contact IP44.de service center for a list of approved dimmers.

care:

Regularly clean luminaire from dirt and deposits. Do not use a high pressure cleaner for cleaning. Please note care instructions at www.IP44.de.

safety:

We point out that the electric connection of light fixtures has to be done by a certified installer. We assume no accountability for damages which are a result of non-appropriate mounting or application of the luminaire. Modifications on the luminaire will result in loss of warranty.

assembly instruction:

The luminaire may not come into contact with highly acidic or alkaline soils, or with other aggressive substances, chemicals or fertilizers.