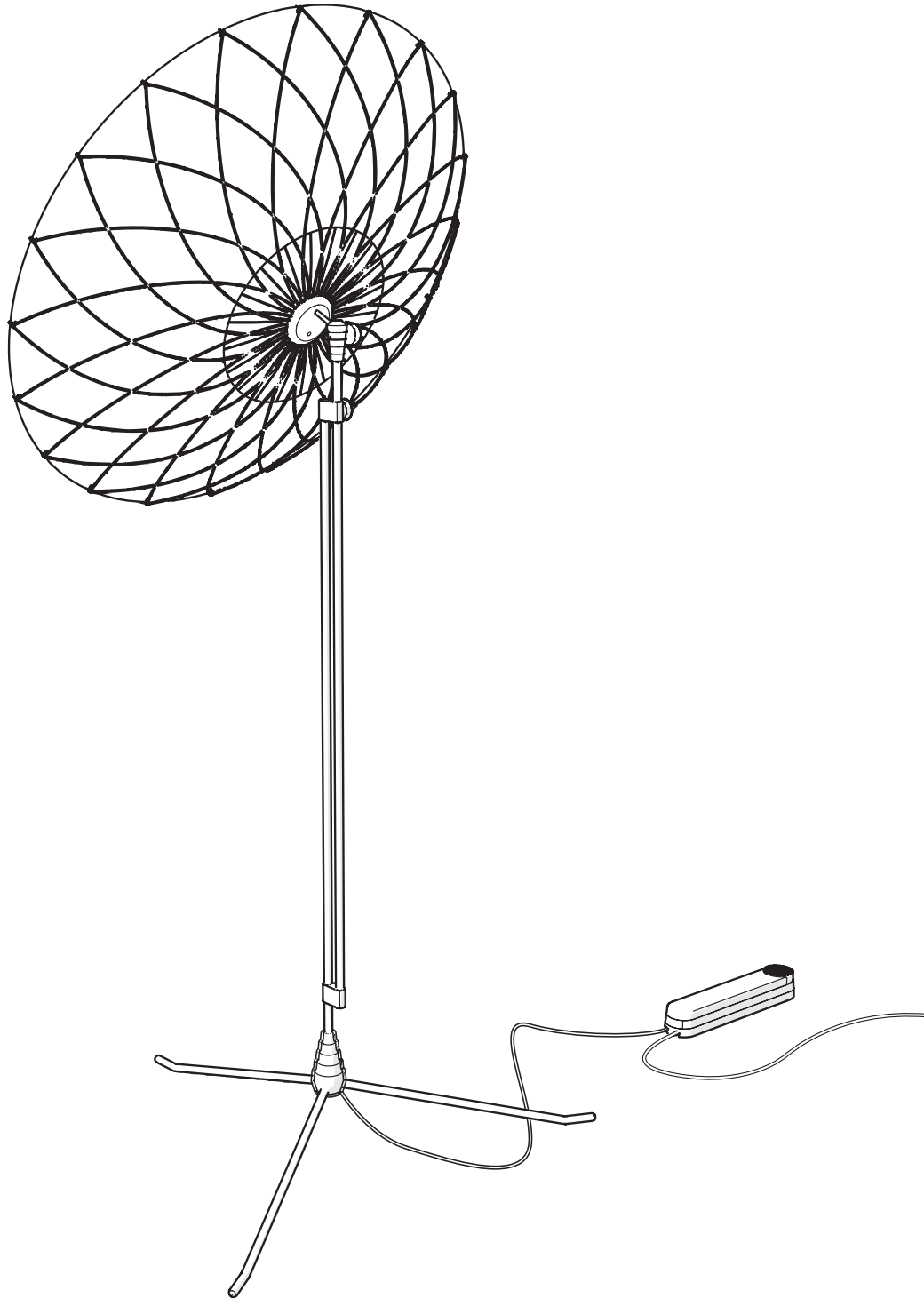


m o o o i

Filigree Floor lamp

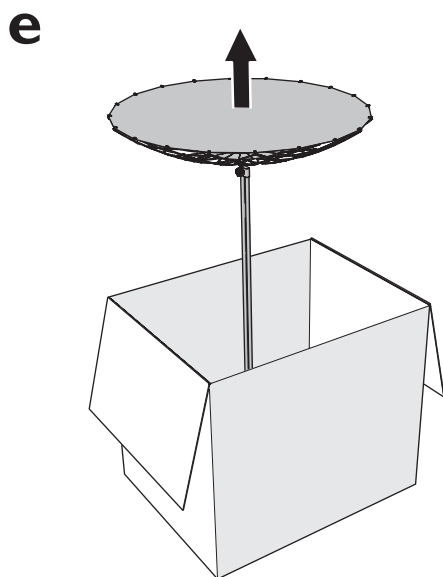
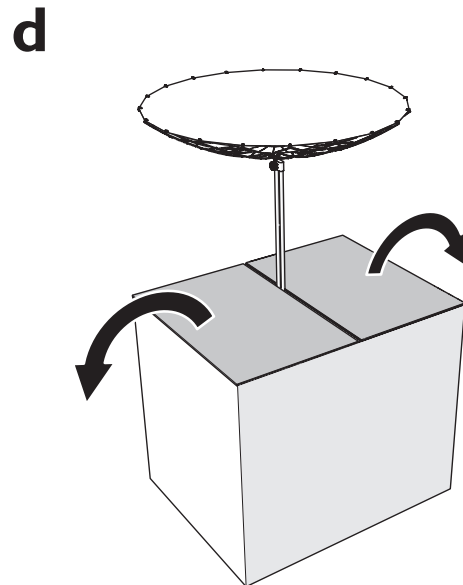
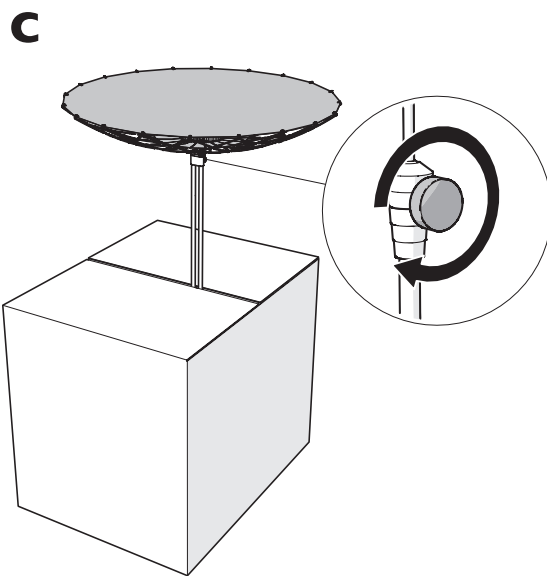
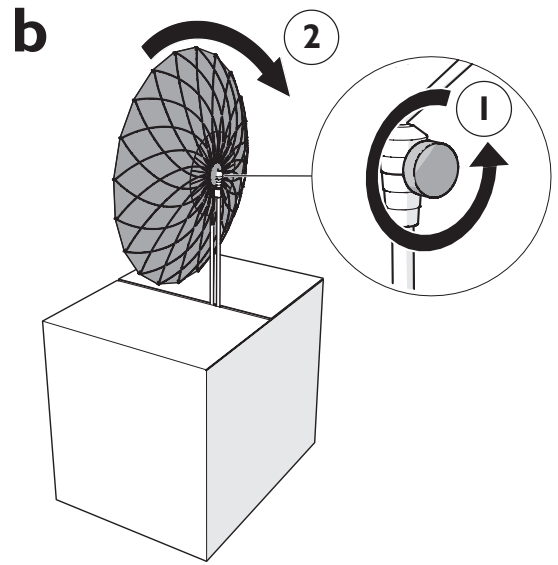
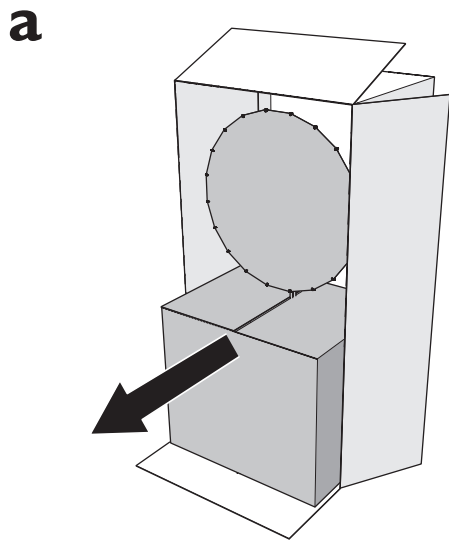


visit www.mooui.com for more information about the collection

moooi

Filigree Floor lamp

I

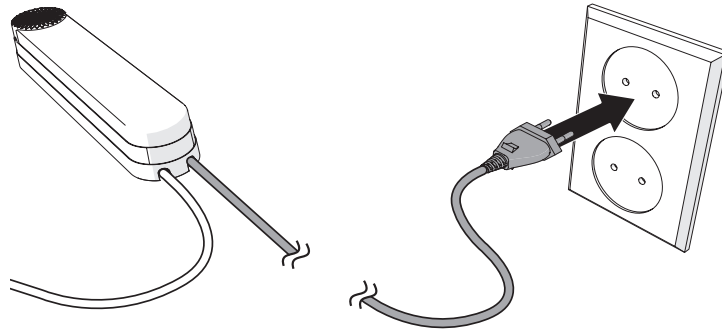


visit www.moooi.com for more information about the collection

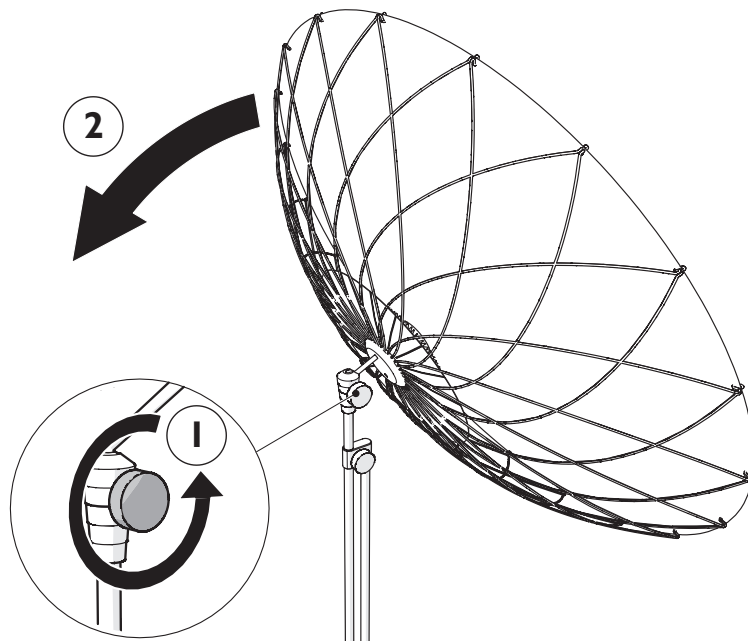
m o o o i

Filigree Floor lamp

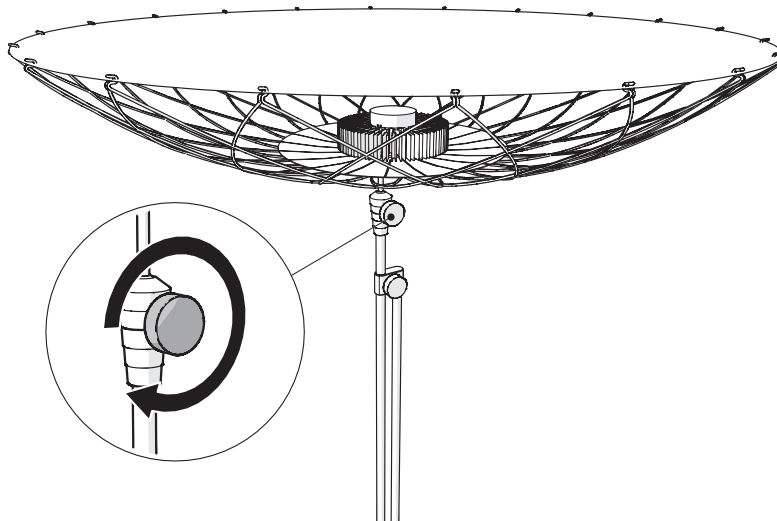
2



3



4

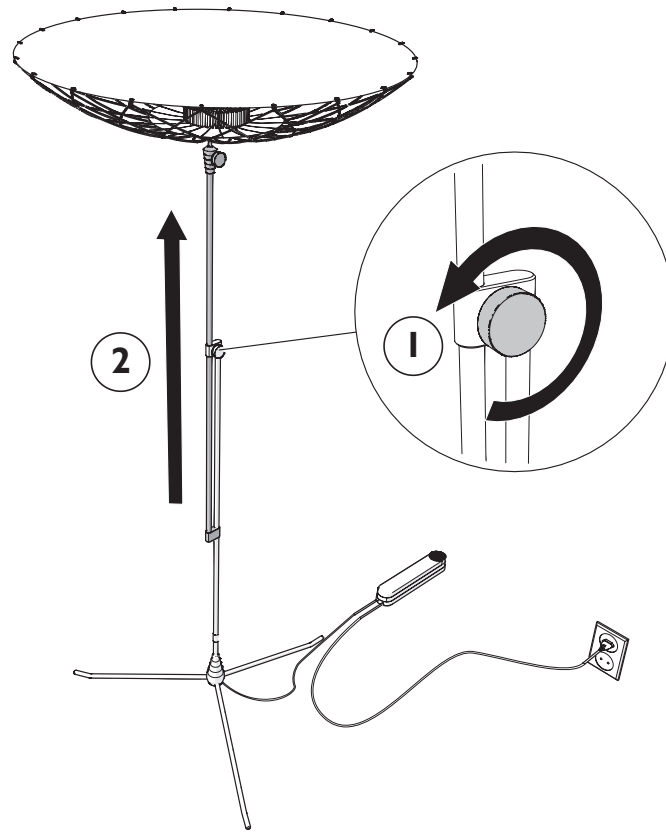


visit www.mooui.com for more information about the collection

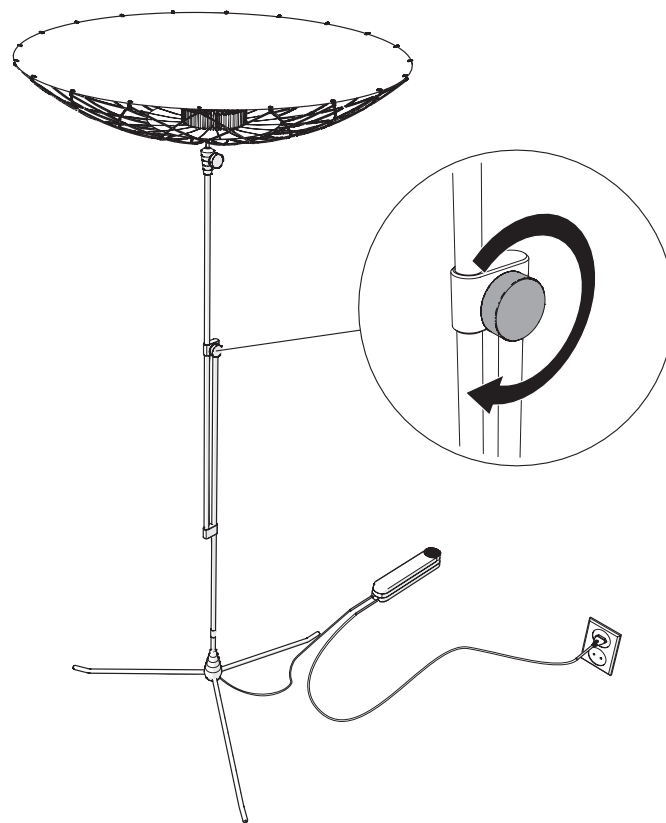
moooi

Filigree Floor lamp

5



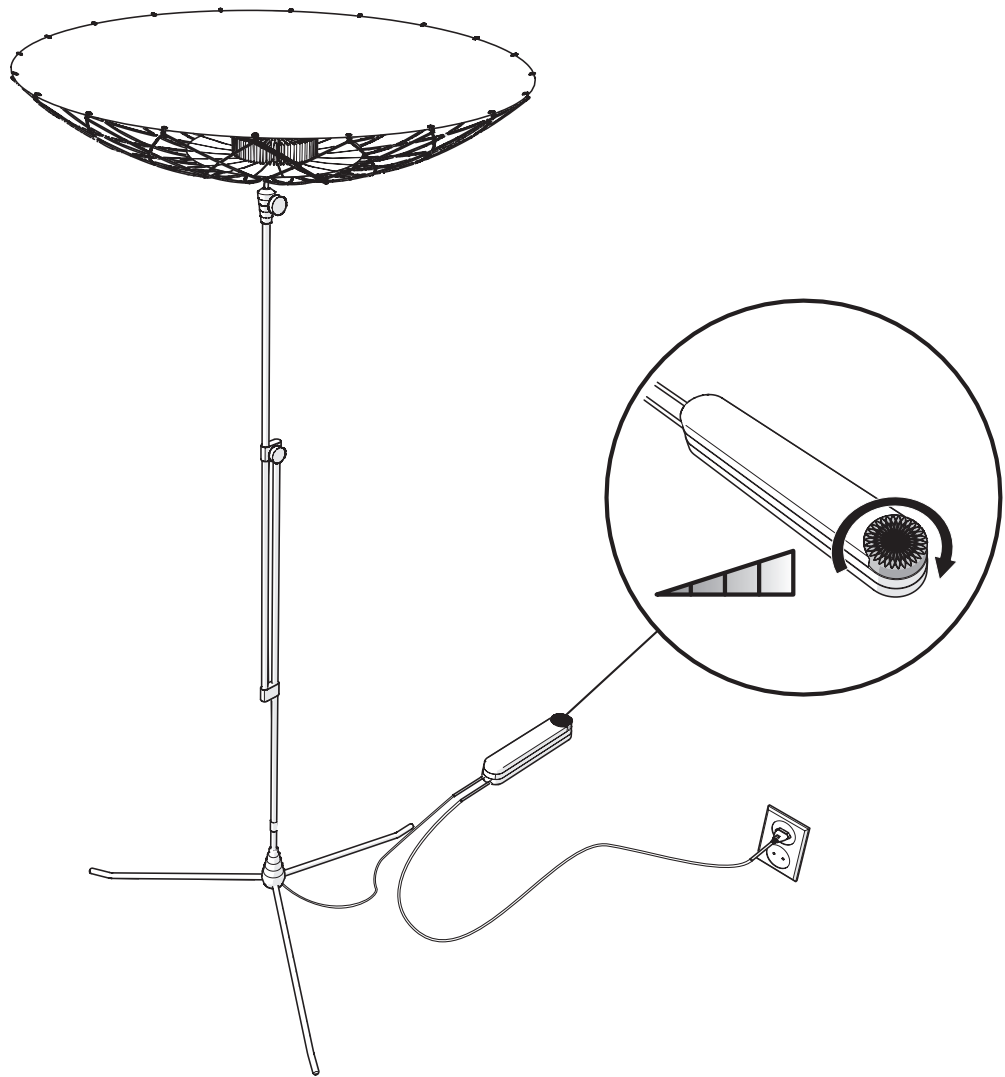
6



m o o o i[®]

Filigree Floor lamp

7



IF THE EXTERNAL CABLE IS DAMAGED, IT SHALL EXCLUSIVELY BE REPLACED BY THE MANUFACTURER, HIS SERVICE AGENT OR A SIMILAR QUALIFIED PERSON IN ORDER TO AVOID THE HAZZARD