

J.J.W.

19-05-2015

O1

2xQA60 max. 53W | E27 | 220-240VAC | 50-60Hz

CE IP20 960°C 0,9m

silver / grey
gold

2054E8S0
2054E8G0

OPTIONAL

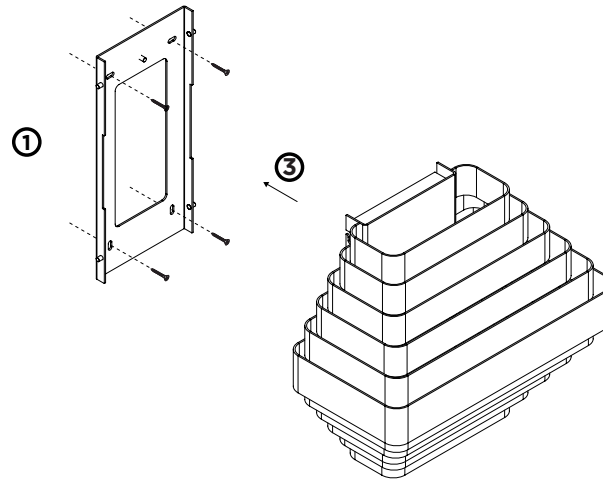
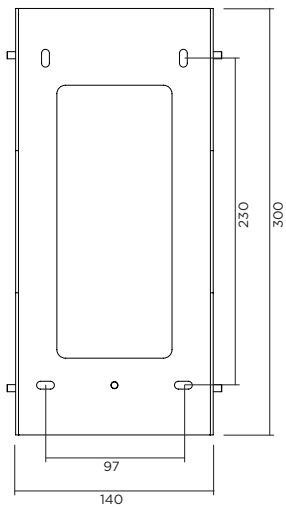
QA60 LED E27 6W 2200K 400lm

9003E109

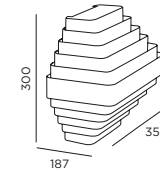
QA60 LED E27 6W 2700K 650lm

9003E108

back plate dimensions



DIMENSIONS



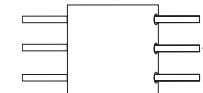
MOUNTING INSTRUCTION

- 1 Remove the back plate and mount it on the wall with screws.

POWER CONNECTION

- 2 Connect the power supply.

Interior: STANDARD version



- 3 Mount the fixture to the back plate
- 4 Insert the 2 lamps (lamps are not included)



WEVER & DUCRÉ
LIGHTING

www.weverducre.com

INSTALLATION INSTRUCTIONS