

HEXO SUSPENDED

13-Sep.-2018

2.0 | 3.0 LED

LED 8W | 220-240VAC | 50-60Hz | COB 3-step | incl. PS | phase-cut dim

CE IP20 0,3m 36°

2.0	
200mm	
gold	207364G
bronze	207364Q
copper	207364P
black texture	207364B

3.0	
300mm	
gold	207464G
bronze	207464Q
copper	207464P
black texture	207464B

LIGHT COLOUR

2700K >90CRI 420lm	3
3000K >90CRI 440lm	5
1800-2850K >95CRI 360lm	9

2.0 | 3.0 PAR16

max. 35W | GU10 | 100-240VAC | 50-60Hz

CE IP20 0,9m

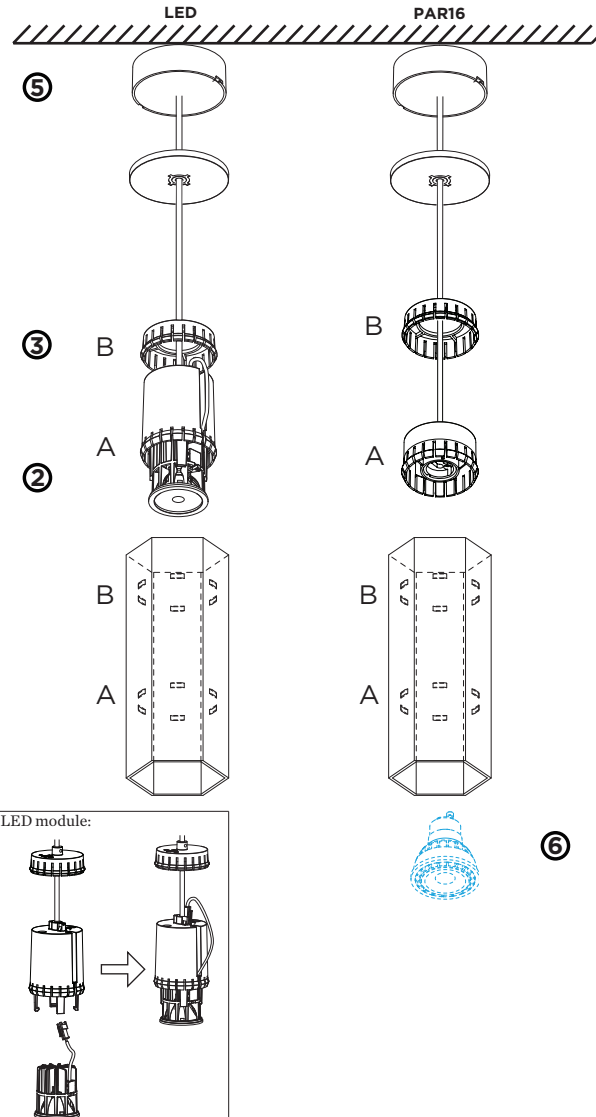
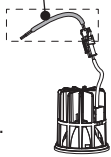
2.0	
200mm	
gold	207320G0
bronze	207320Q0
copper	207320P0
black texture	207320B0

3.0	
300mm	
gold	207420G0
bronze	207420Q0
copper	207420P0
black texture	207420B0

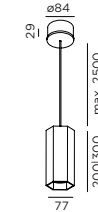
OPTIONAL
for PAR16 lamps see our catalogue

* For this product, the cable with a plug that comes with the LED module is not needed. Please remove it first and then use the LED module.

not needed (this notification refers to the part of the cable)



DIMENSIONS

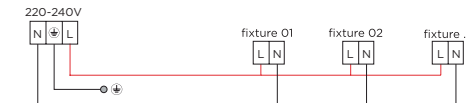


MOUNTING INSTRUCTION

- ONLY FOR LED: mount the LED module into the suspension set.
- Insert part A until it clicks in the lower part of the cover
- Insert part B until it clicks in the higher part of the cover
- POWER CONNECTION**

Connect wiring to the power supply (for LED) or to terminal block (for PAR16)

PARALLEL CONNECTION



- Mount the ceiling base on the ceiling
(You have to turn the cover counterclockwise a quarter in order to loosen it from the ceiling base and mounting back on is by turning clockwise.)
- ONLY FOR PAR16
Insert the lamp

NEW CEILING BALDACHIN ROUND

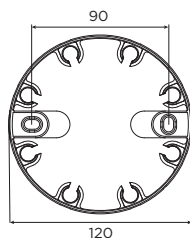
29-Feb.-2016

CE IP20

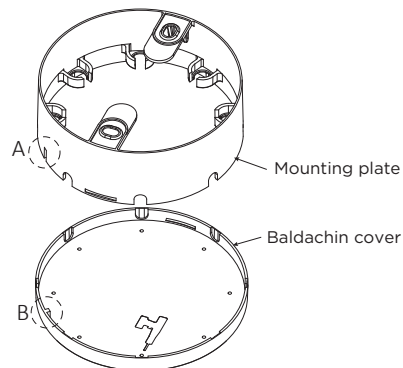
White texture
Black texture

90052005
90052006

mounting plate dimension:



①

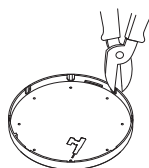


WARNING: the slot A and raised section B should be aligned when installation.

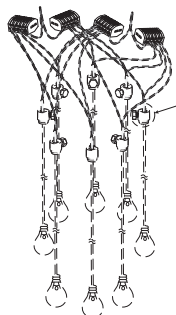
Wiring method 1:

(Check page 2 for overall view details)

②



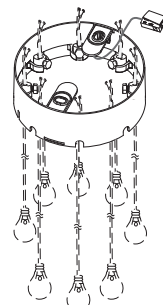
⑤



④

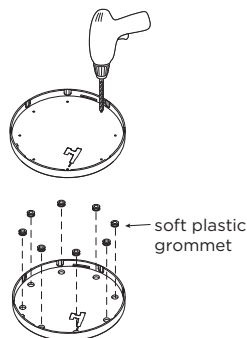


⑦



Wiring method 2:

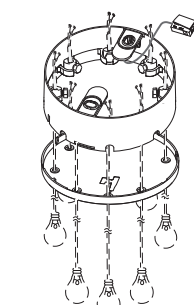
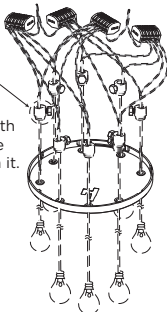
③



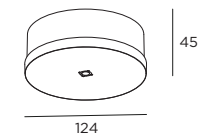
strain relief

adjusting knob

When the cable length is determined, please remember to tighten it.



DIMENSIONS

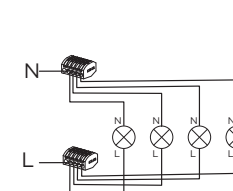


MOUNTING INSTRUCTION

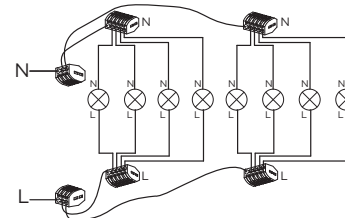
- ① Remove the mounting plate from the baldachin cover. Fix the mounting plate on the ceiling with screws.
* **There are two wiring method:**
Method 1: the lamp cables go through the wall of the Mounting plate;
Method 2: the lamp cables go through the bottom of the Baldachin cover.
- ② Make holes on the Baldachin cover for lamp cables.
- ③ Put the grommets into the holes. (This step applies to the Method 2.)
- ④ Adjust the cables of luminaire to desired length, tighten the strain reliefs
- ⑤ Connect the luminaire cables into the terminals.

⑥ POWER CONNECTION

When the luminaire number is less than 5



When the luminaire number is greater than 4



Baldachin cover earthing connector:



- ⑦ Hang the strain reliefs on the holders.



WEVER & DUCRÉ
LIGHTING

www.weverducre.com

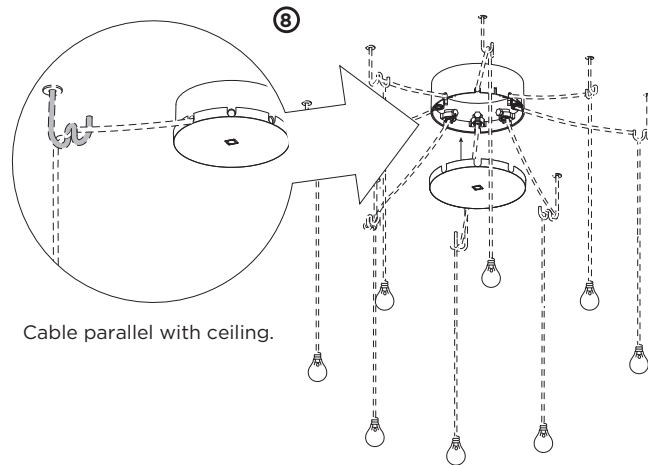
INSTALLATION
INSTRUCTIONS

PAGE 1/2

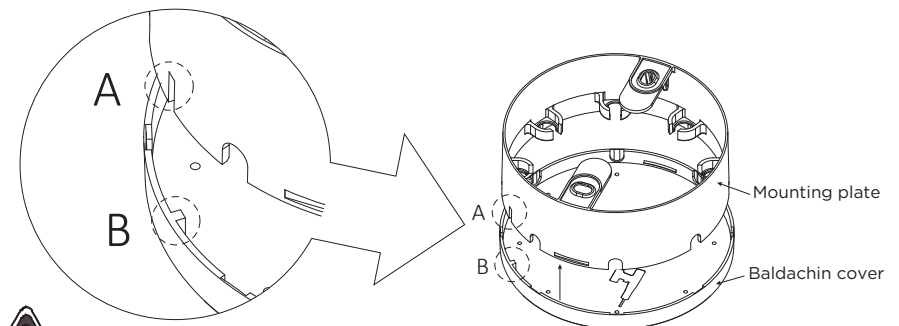
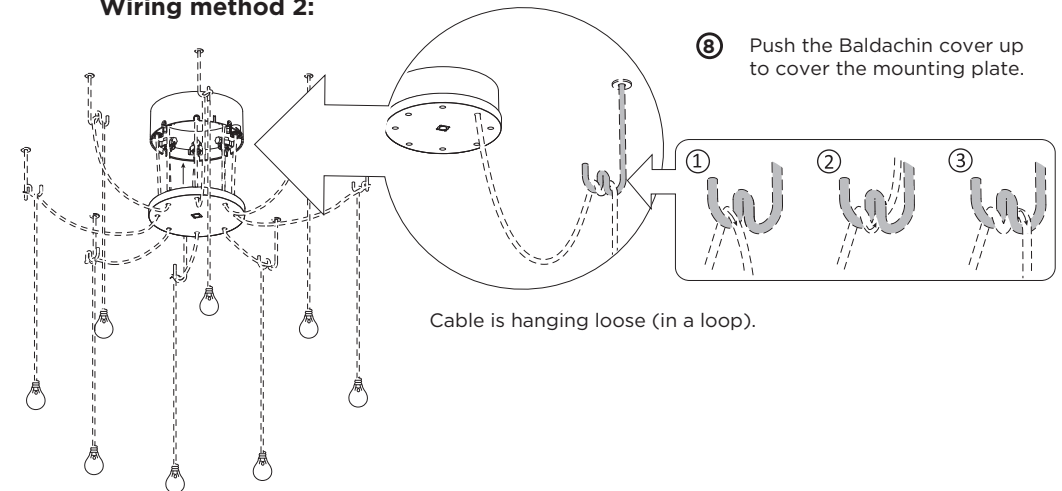
NEW CEILING BALDACHIN ROUND

29-Feb.-2016

Wiring method 1:



Wiring method 2:



WARNING: When push the baldachin cover up to the mounting plate, please make sure the slot A and raised section B are aligned.



WEVER & DUCRÉ
LIGHTING

www.weverducre.com

**INSTALLATION
INSTRUCTIONS**
PAGE 2/2

BALDACHIN

27-Jul.-2016

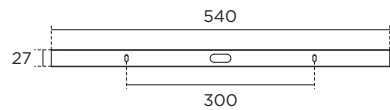
600MM

CE IP20

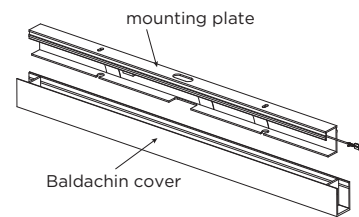
White texture
Black texture

90052007
90052008

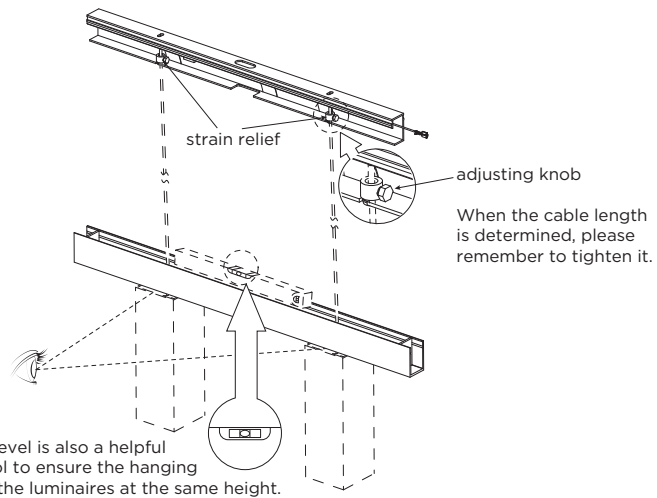
mounting plate dimension:



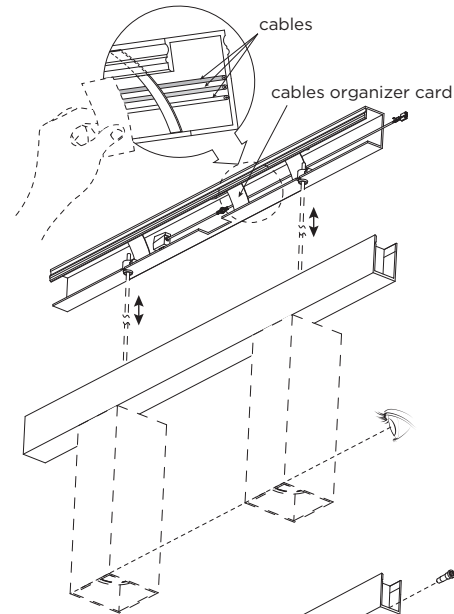
①



②

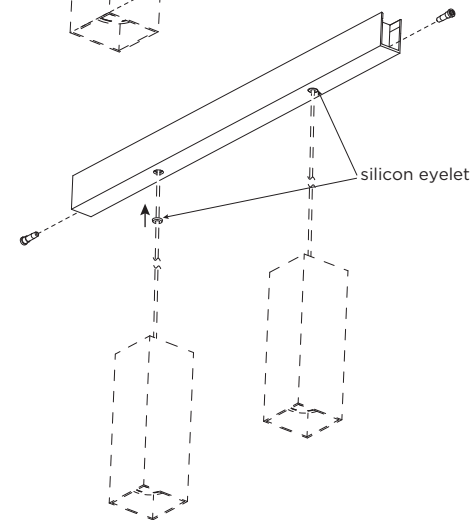


③

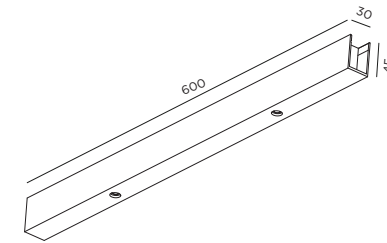


⑤

⑥



DIMENSIONS

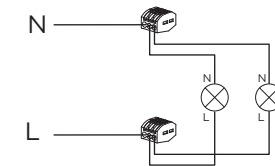


MOUNTING INSTRUCTION

- ① Remove the mounting plate from the baldachin cover.
- ② Adjust the cable of lights to desired length. If you need the lights be horizontal alignment, the baldachin cover can be a helpful judgement tool.
- ③ Fix the mounting plate on the ceiling with screws. If you need to align the orientation of the light, fine-tuning of strain relief direction to achieve adjustment.

④ POWER CONNECTION

Connect the power



Baldachin cover earthing plug:



- ⑤ Lock the baldachin cover on the mounting plate with two plastic screws.
- ⑥ Put the silicon eyelets in the cable outlets.



WEVER & DUCRÉ
LIGHTING

www.weverducre.com

INSTALLATION
INSTRUCTIONS

BALDACHIN

27-Jul.-2016

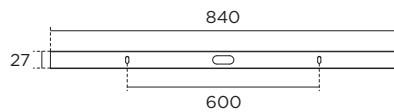
900MM

CE IP20

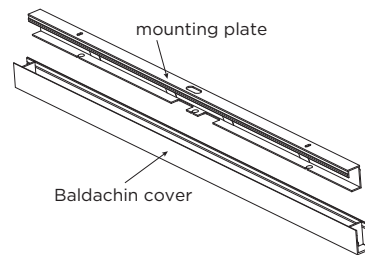
White texture
Black texture

90052009
90052010

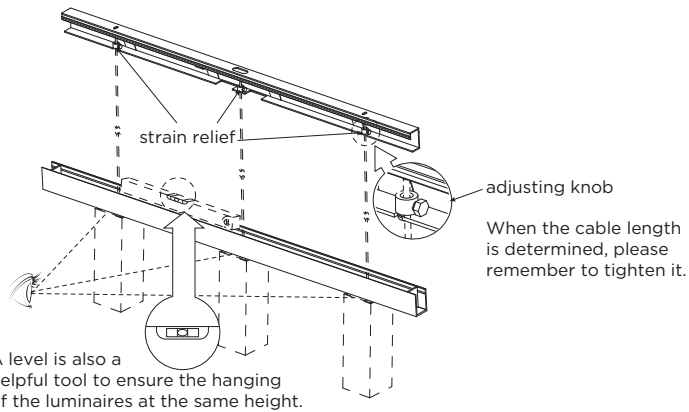
mounting plate dimension:



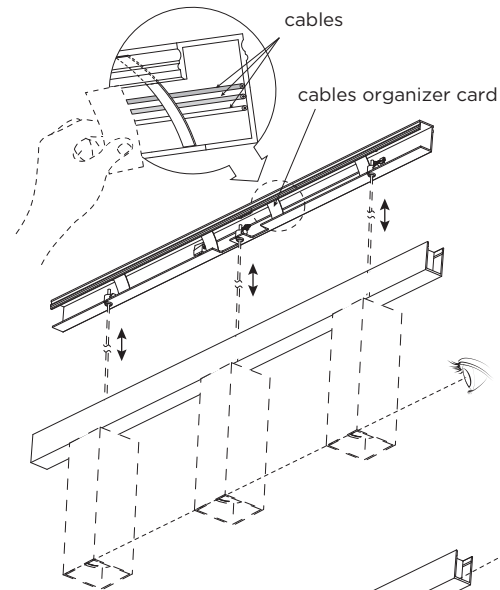
①



②

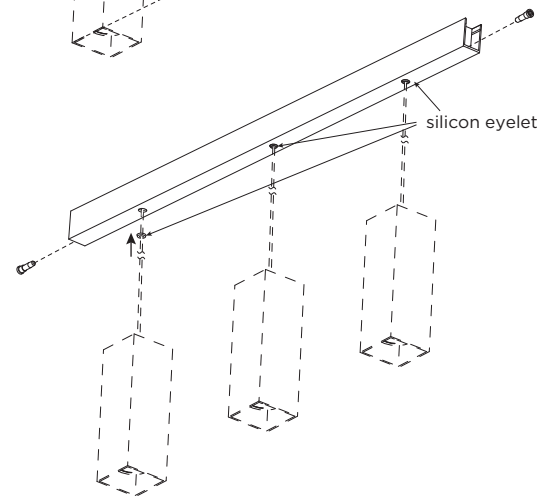


③

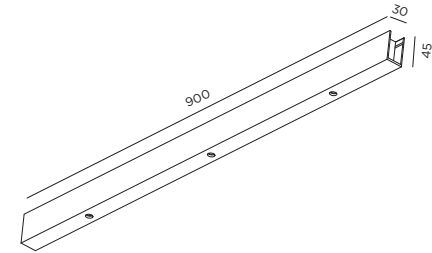


⑤

⑥



DIMENSIONS

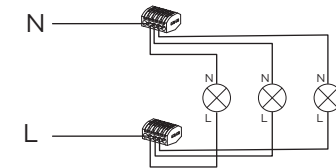


MOUNTING INSTRUCTION

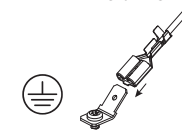
- ① Remove the mounting plate from the baldachin cover.
- ② Adjust the cable of lights to desired length. If you need the lights be horizontal alignment, the baldachin cover can be a helpful judgement tool.
- ③ Fix the mounting plate on the ceiling with screws. If you need to align the orientation of the light, fine-tuning of strain relief direction to achieve adjustment.

④ POWER CONNECTION

Connect the power



Baldachin cover earthing plug:



- ⑤ Lock the baldachin cover on the mounting plate with two plastic screws.
- ⑥ Put the silicon eyelets in the cable outlets.



WEVER & DUCRÉ
LIGHTING

www.weverducre.com

INSTALLATION
INSTRUCTIONS

BALDACHIN

27-Jul.-2016

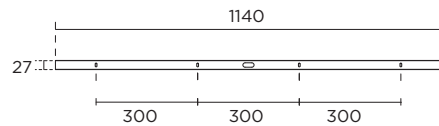
1200MM

CE IP20

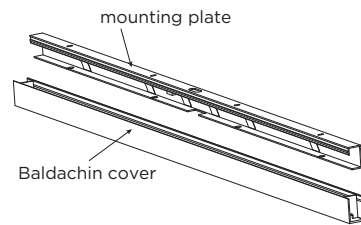
White texture
Black texture

90052011
90052012

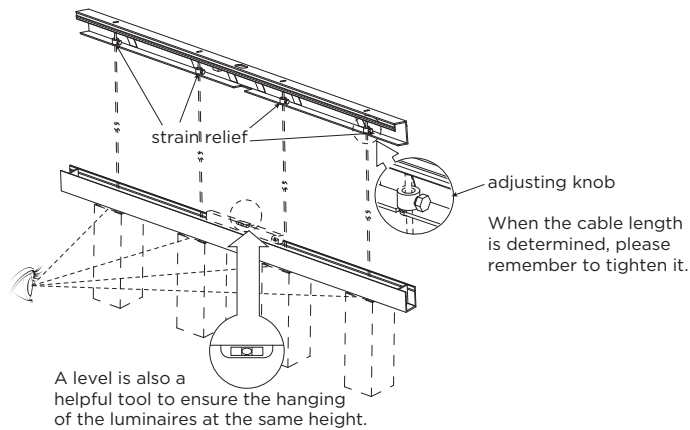
mounting plate dimension:



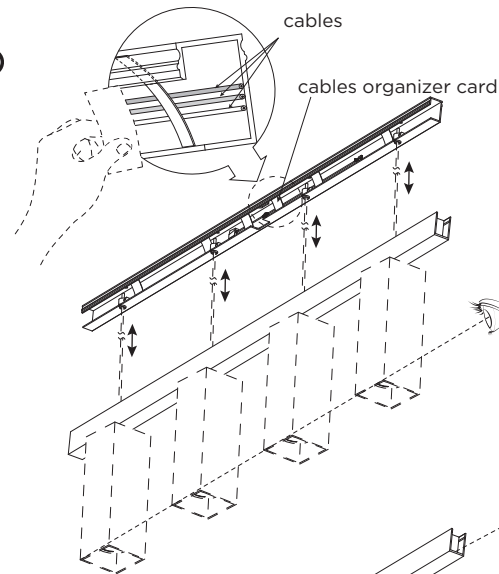
①



②

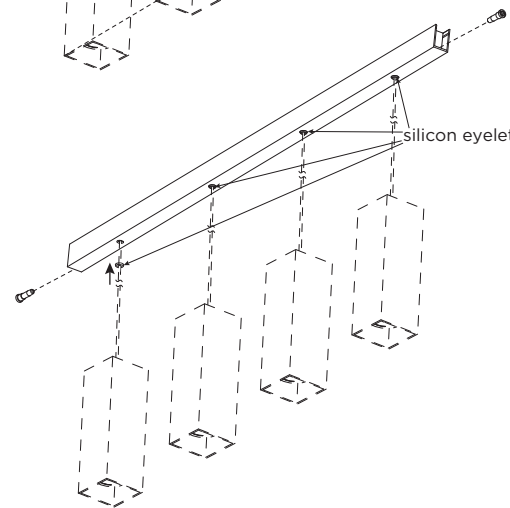


③

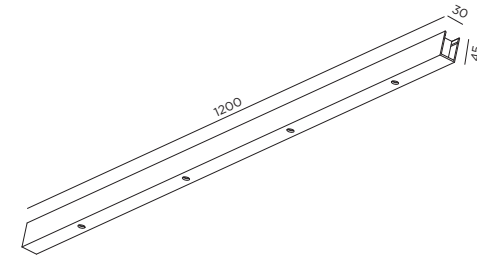


⑤

⑥



DIMENSIONS

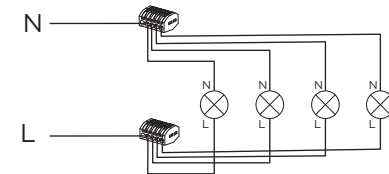


MOUNTING INSTRUCTION

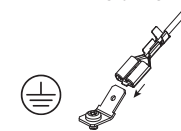
- ① Remove the mounting plate from the baldachin cover.
- ② Adjust the cable of lights to desired length. If you need the lights be horizontal alignment, the baldachin cover can be a helpful judgement tool.
- ③ Fix the mounting plate on the ceiling with screws. If you need to align the orientation of the light, fine-tuning of strain relief direction to achieve adjustment.

④ POWER CONNECTION

Connect the power



Baldachin cover earthing plug:



- ⑤ Lock the baldachin cover on the mounting plate with two plastic screws.
- ⑥ Put the silicon eyelets in the cable outlets.



WEVER & DUCRÉ
LIGHTING

www.weverducre.com

INSTALLATION
INSTRUCTIONS

BALDACHIN

27-Jul.-2016

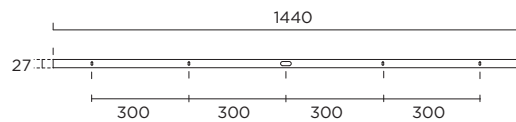
1500MM

CE IP20

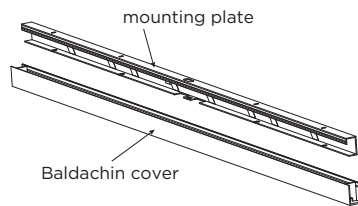
White texture
Black texture

90052013
90052014

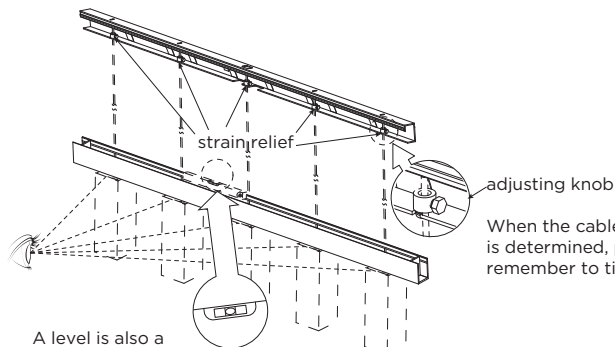
mounting plate dimension:



①



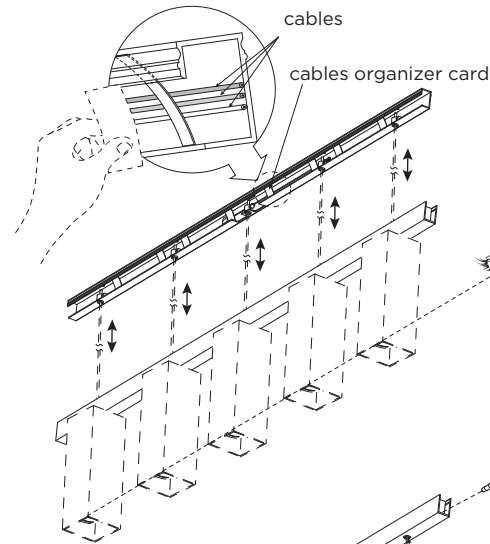
②



A level is also a helpful tool to ensure the hanging of the luminaires at the same height.

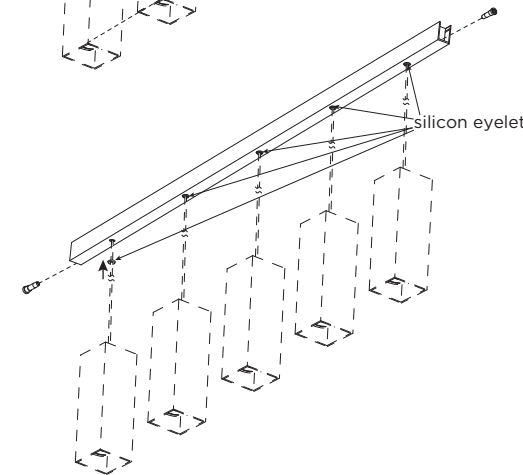
When the cable length is determined, please remember to tighten it.

③

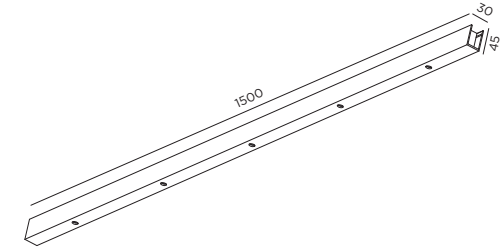


⑤

⑥



DIMENSIONS

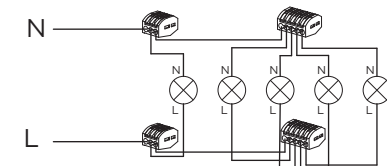


MOUNTING INSTRUCTION

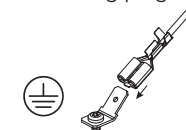
- ① Remove the mounting plate from the baldachin cover.
- ② Adjust the cable of lights to desired length. If you need the lights be horizontal alignment, the baldachin cover can be a helpful judgement tool.
- ③ Fix the mounting plate on the ceiling with screws. If you need to align the orientation of the light, fine-tuning of strain relief direction to achieve adjustment.

④ POWER CONNECTION

Connect the power



Baldachin cover earthing plug:



- ⑤ Lock the baldachin cover on the mounting plate with two plastic screws.
- ⑥ Put the silicon eyelets in the cable outlets.



WEVER & DUCRÉ
LIGHTING

www.weverducre.com

INSTALLATION
INSTRUCTIONS