



WEVER & DUCRÉ  
LIGHTING

# TRAIN OUTDOOR 2.0

719968W5

Project
Type
Notes
Quantity
Date

## GENERAL

Wall
Surface
Signal White
IP65
Exterior
Indirect 255 lm
Direct 255 lm
Total 510 lm
9003 <sup>a</sup>

## LED

3000 K
CRI 90
L70 / 50000 h
3-step binning

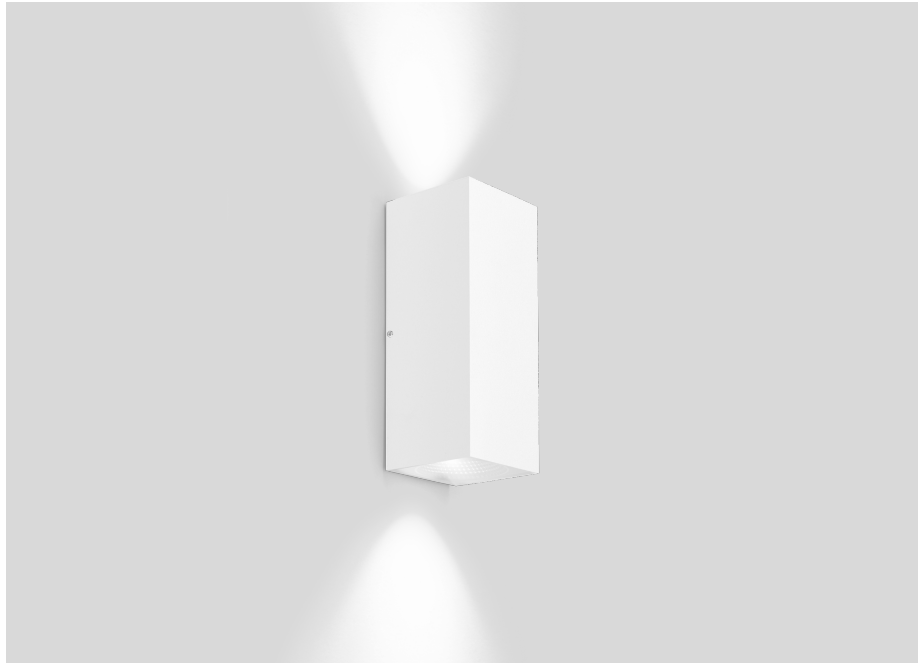
## PHYSICAL

Length 50 mm
Width 50 mm
Height 120 mm
0.35 kg

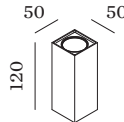
## ELECTRICAL

phase-cut dim
220 - 240 V
Total connected power 7.9 W
PC1
Safety distance 0.3 m

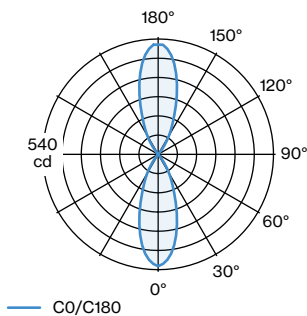
<sup>a</sup> RAL Palette colors may deviate slightly due to production conditions.



IP65 <math>0,3\text{ m}</math>



## LIGHT DISTRIBUTION





**WEVER & DUCRÉ**  
LIGHTING

# TRAIN OUTDOOR 2.0

719968W5

## Maintenance Factors

Operating Time [h]	10 000	20 000	30 000	40 000	50 000
LLMF	0.93	0.87	0.81	0.75	0.7
LSF	1	1	1	1	1

MF	$LMF \times RSMF \times LLMF \times LSF$	RSMF <sup>a</sup>	Room Surface Maintenance Factor
MF	Maintenance Factor	LLMF	Lamp Lumens Maintenance Factor
LMF <sup>a</sup>	Luminaire Maintenance Factor	LSF	Lamp Survival Faktor

<sup>a</sup> According to "CIE 97, Maintenance of indoor electric lighting systems", 2005, ISBN 3-900-734-34-8. The values must be determined by the planner.