



WEVER & DUCRÉ
LIGHTING

DOCUS mini 2.0

301320W0

Project
Type
Notes
Quantity
Date

GENERAL

Wall
Surface
Signal White
IP20
Interior
Indirect 410 ^a , 450 ^b , 455 ^c lm
Direct 410 ^a , 450 ^b , 455 ^c lm
Total 820 ^a , 900 ^b , 910 ^c lm
9003 ^d

LED

Lamp 2 x PAR16
PAR16
Socket GU10
max. 12 W
L70 / 50000 h

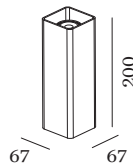
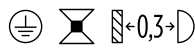
PHYSICAL

Length 67 mm
Width 67 mm
Height 200 mm
0.43 kg

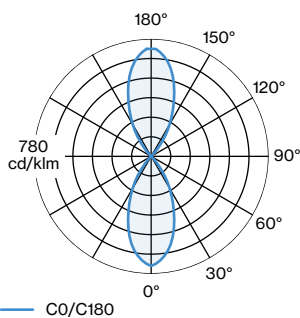
ELECTRICAL

100 - 240 V
Total connected power 15 ^c , 16 ^b , 18 ^a W
PC1
Safety distance 0.3 m

- ^a LED 1800-2850K CRI 90 silver
- ^b LED 3000K CRI 80 white
- ^c LED 2700K CRI 80 white
- ^d RAL Palette colors may deviate slightly due to production conditions.



LIGHT DISTRIBUTION





WEVER & DUCRÉ
LIGHTING

DOCUS mini 2.0

301320W0

LED LAMPS

PAR16 LED Lamp

TYPE	COLOUR	Ø·H (MM)	ORDERCODE
2700K >90 CRI GU10	Jet Black	ø50-58	9 0 1 2 2 8 B 3
3000K >90 CRI GU10	Jet Black	ø50-58	9 0 1 2 2 8 B 5
2700K >80 CRI GU10	Signal White	ø50-58	9 0 1 2 2 8 W 2
2700K >90 CRI GU10	Signal White	ø50-58	9 0 1 2 2 8 W 3
3000K >80 CRI GU10	Signal White	ø50-58	9 0 1 2 2 8 W 4
2700K >80 CRI GU10	Silver/Grey	ø51-55	9 0 5 2 2 7 S 2
3000K >80 CRI GU10	Silver/Grey	ø51-55	9 0 5 2 2 7 S 4

PAR16 LED Lamp | Ambient

TYPE	Ø·H (MM)	ORDERCODE
1800-2850K >90 CRI GU10	ø50-58	9 0 1 2 2 9 S 9