

# VERTIGO NOVA

CONSTANCE GUISSET

2020



Black



White

## Wall lamp

-

### MATERIALS

**Lampshade:** Fiberglass, painted steel with matte grained powder coating, polyurethane ribbons  
**Glass:** Glass triplex, **Lighting system :** integrated LED  
**Cable:** plastic. Included cable for regular plug

### COLORS

Black, White

### ORIGINE

France

### TECHNICAL SPECIFICATIONS



1350 lumens



EUROPE

UK

US



Power

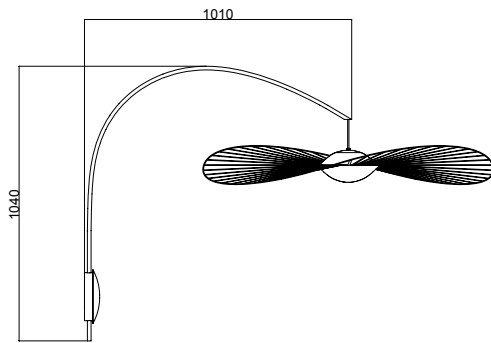
220-240 V 50-60HZ

Power

220-240 V 50-60 HZ

Power

110-120 V 60 HZ



Ø: 110 cm | 43.3 inch

H: 104 cm | 41 inch

Weight: 3,2 kg | 7 lb

### PACKAGING :

#### Carton box 1

L: 130 cm | 51.2 inch

W: 61 cm | 24 inch

H: 15,7 cm | 6,2 inch

#### Carton box 2

L: 72 cm | 28.3 inch

W: 72 cm | 28.3 inch

H: 22 cm | 8.6 inch

Weight: 5 kg | 11 lb