

KANJI

Denis Guidone, 2017

Kanji is a family of lighting elements that reinterprets traditional Oriental portable lanterns in a contemporary key. Available in tabletop and ceiling models, it draws inspiration from Chinese porcelain from the Ming dynasty. The hand-blown glass diffuser, in frosted white and translucent smoke, is adorned with a pleated surface decoration. A Led ring runs inside the structure and magically illuminates the diffuser. Evocative of the Far East not only in form but in name (kanji are characters of Chinese origin used in Japanese writing in conjunction with the hiragana and katakana syllabaries), it is designed to be used alone or in pairs, with each form amplifying the aesthetic power of the other.



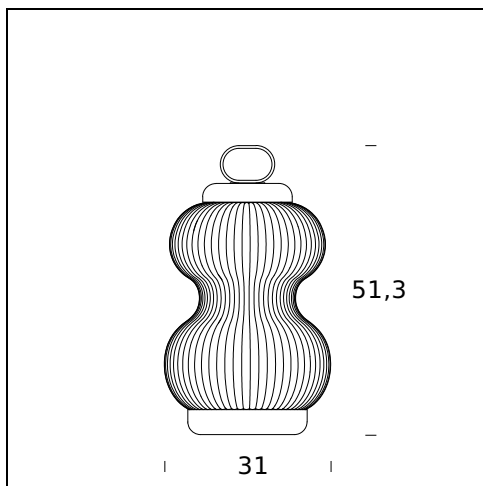
RELATED PRODUCTS



KANJI

Suspension Lamp

TECHNICAL SHEET



MODEL NAME: Kanji table lamp

CODE: 4385NN/..

DIMENSIONS: Ø 31 x 51,3

MATERIALS: Glass, metal

COLORS

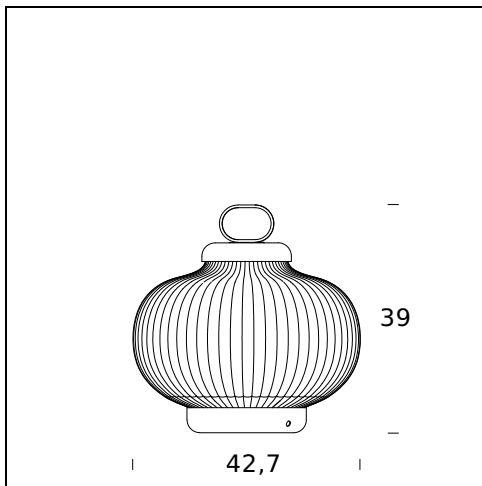
- Grey Fumè
- White

BULB: 13W Led (2700 K, CRI>90, 900 Lm)

DIMMER: Dimmer

CERTIFICATIONS AND SYMBOLS:

CE IP20 *Classe III*



MODEL NAME: Kanji table lamp

CODE: 4387NN/..

DIMENSIONS: Ø 42,7 x 39

MATERIALS: Glass, metal

COLORS

● Grey Fumè

○ White

BULB: 10W Led (2700 K, CRI>90, 900 Lm)

DIMMER: Dimmer

CERTIFICATIONS AND SYMBOLS:

CE IP20 *Classe III*

Subject to technical modifications and modifications to content